



Spare Parts Catalog

16 S 221
IVECO

Material number: 1316.051.905



Pos.	Information	Amendment number
001	Use case -----	
002	Customer IVECO MAGIRUS AG	
003	City Neu-Ulm	
004	DUNS 31-561-9072	
005	Vehicle / Apparatus -----	
006	Sales Name SPR	
007	Manufacturer IVECO MAGIRUS AG	
008	Engineering Name	
009	Product Use TRUCK	
010	Vehicle/Hardware Type ROAD TRACTOR	
011	SOP	
012	Engine	
013	Sales Designation	
014	Manufacturer FIAT GES.CO S.P.A	
015	Eng.Displ.	
016	Cylinder	
017	Nom. power 375 kW	
018	RPM at nom. power 1900 1/min	
019	Nom. torque 2200 Nm	
020	RPM at nom. torque 1100 1/min	
021	Classification use case -----	
024	TOTAL NUMBER OF GEARS 6	
025	NUMBER OF DRIVING GEARS 4	
026	DYNAMIC TYRE RADIUS 446 mm	
027	REAR AXLE RATIO 2,93	
028	MAXIMUM SPEED 110 km/h	
031	PERMISS.GROSS VEHICLE WEIGHT 26 t	
032	PERMISS.GROSS COMBIN.WEIGHT 60 t	
033	Product description -----	
034	INSTALLATION POS TRANSMISSION HORIZONTAL LEFT	



Pos.	Information	Amendment number
035	TRANSMISSION ATTACHMENT FLANGE-MOUNTED	
036	RATIO, BOTTOM GEAR 13,8	
037	RATIO, TOP GEAR ,84	
038	SET OF RATIOS SG	
039	RATIO, 1ST GEAR 13,8	
040	RATIO, 3RD GEAR 9,49	
041	RATIO, 5TH GEAR 6,53	
042	RATIO, 7TH GEAR 4,57	
043	RATIO, 9TH GEAR 3,02	
044	RATIO, 11TH GEAR 2,08	
045	RATIO, 13TH GEAR 1,43	
046	RATIO, 15TH GEAR 1	
047	RATIO, 1ST GEAR REVERSE 12,92	
048	RATIO, 2ND GEAR 11,54	
049	RATIO, 4TH GEAR 7,93	
050	RATIO, 6TH GEAR 5,46	
051	RATIO, 8TH GEAR 3,82	
052	RATIO, 10TH GEAR 2,53	
053	RATIO, 12TH GEAR 1,74	
054	RATIO, 14TH GEAR 1,2	
055	RATIO, 16TH GEAR ,84	
056	RATIO, 2ND GEAR REVERSE 10,8	
057	UEBERSETZUNGSREIHE BASIS DG	
058	UEBERSETZUNG PLANETENSATZ 4,565	
059	NUMBER OF PLANETARY GEARS 5	
060	AUSF VERZAHNUNG PLANETENSATZ OBLIQUE TOOTHING	
061	DESIGN, SHIFT SYSTEM TURNING SHAFT	
062	POSITION, GEAR SHIFT SYSTEM HORIZONTAL LEFT	
063	DESIGN, SHIFT PATTERN H-H	
064	VERSION ACTUATION SHIFT SYSTEM MECHANICAL	



Pos.	Information	Amendment number
065	AUSFUEHRUNG ROHR GP PLASTIC-FORM-PIPE	
066	AUSF RUECKSCHALTG GASSENSPERRE WITHOUT GROOVE	
068	HINWEIS ZU AUSF SCHALTUNG AIR SHUT-OFF:MAGNET-VALVE	
069	VERSION SHIFT SUPPORT SERVO LEFT	
070	AUSFUEHRUNG ROHR SERVO PLASTIC PIPING	
072	1.KUNDENSPEZIFIKATION SCHALTNG SOLENOID VALVE	
076	AUSFUEHRUNG ROHR GASSENSPERRE WITHOUT PIPING	
077	2.KUNDENSPEZIFIKATION SCHALTNG WITHOUT GROOVE	
078	DIA THROTTLE MAIN CUTOFF VALVE 1,55 mm	
079	NO. TAPPETS MAIN CUTOFF VALVE 2	
080	POS. AIR CON MAIN CUTOFF VALVE F	
084	DESIGN, SEPARATING CLUTCH FULL-SYNCHRONIZED	
085	VERSION OF SYNCHRONIZER 1 1.-4.GEAR BK-SYNCHRONIZATION	
087	REFERENCE LENGTH INPUT SHAFT 117 mm	
088	DIAMETER, JOURNAL, INPUT SHAFT 25 mm	
089	STANDARD TYPE INPUT SHAFT SAE	
090	NUMBER OF WEDGES INPUT SHAFT 10	
091	TYPE FIT SPIGOTS INPUT SHAFT F7	
093	VERSION OF INPUT SHAFT FORM C	
094	DIAMETER SHAFT OF INPUT SHAFT 50,3 mm	
095	NOMINAL DIAMETER INPUT SHAFT 2 in	
096	BUSH VARIANT INPUT SHAFT WITHOUT GROOVE	
100	LENGTH, INPUT SHAFT 403,5 mm	
102	LENGTH, PROFILE, INPUT SHAFT 120 mm	
103	AUSF LAGERUNG KONSTANTE 1 GL	
104	D-LAGER ANTRIEBSWELLE 99,916 mm	
105	PASSUNGSART LAGER ANTR.WELLE H5	
106	VER. BEAR. SPIGOTS INPUT SHAFT TAPER ROLLER	
107	DESIGN,CONN., CLUTCH HOUSING SAE 1	
108	CENTR.DIA,HSG/ENGINE CONNECT. 511,175 mm	



Pos.	Information	Amendment number
109	NUMBER OF BORES,ENGINE CONN. 12	
110	BORE DIA, ENGINE CONNECTION 11 mm	
111	D-LAGERBUCHSE AUSRUECKUNG LI 35 mm	
113	LAENGE SPANNLAPPEN RE MOTANSCH 292 mm	
119	VERSION ENGINE CONNECTION NOT FORDABLE	
120	DIAMETER, RELEASE FLANGE 62,611 mm	
122	DESIGN BEARING OUTPUT STANDARD SUSPENSION	
123	OUTER DIA. OUTPUT FLANGE RA 180 mm	
126	NO.OF BORES OUTPUT FLANGE HA1 4	
127	BORE DIA. OUTPUT FLANGE RA 15 mm	
130	REF. LENGTH OUTPUT FLANGE RA 211,5 mm	
138	LAGE ANFL.FLAECHE GEHAEUSE2 WITHOUT GROOVE	
139	DIMENSION SHIFT TURRET DIST. 300 mm	
140	MEAS. LOC. SHIFT TURRET DIST. SHIFT LEVER-LOCATION	
158	SPRING ARRANGEMENT Q1	
159	SPRING FORCE DETENT PLUNGER RG 90 N	
162	HUMP SPRING FORCE, OUTSIDE 120 N	
165	ANORDNUNG RASTENHEBELAUSFUEHRG A	
168	SELECTOR SPRING FORCE, OUTSIDE 50 N	
171	FEDERKRAFT AUSSEN RASTE NG 200 N	
172	SELECTION PATTERN VARIANT GEAR SHIFT PATTERN 1	
184	SWITCH, REVERSE GEAR y	
185	DESIGN, RG (REV.GEAR) SWITCH CLOSING	
186	NOTE ON SWITCH, REVERSE GEAR G.SHIFT SHAFT	
187	PROT. CAP SWITCH, REVERSE GEAR y	
188	DESIGN, CONNECTION, RG SWITCH DIN BAYONET	
190	SWITCH, NEUTRAL GEAR y	
191	DESIGN,NG(NEUTRAL GEAR)SWITCH OPENING SWITCH	
192	PROT.CAP SWITCH, NEUTRAL GEAR y	
193	DESIGN, CONNECTION, NG SWITCH DIN BAYONET	



Pos.	Information	Amendment number
200	FUNKTION GP-SCHALTER GP	
201	DESIGN, GP SWITCH CLOSING	
203	PROTECTING CAP GP SWITCH y	
204	DESIGN, CONNECTION, GP SWITCH DIN BAYONET	
226	FUNKTION GV-SCHALTER GV	
227	DESIGN, GV SWITCH PREPARED	
228	REF.LENGTH,RELEASE BEAR.FLAN -3 mm	
229	PROTECTING CAP GV SWITCH n	
232	ATTACHM.POS.HEAT EXCHANGER IN FRONT LEFT PREPARED	
234	VER. TRANSMISSION VENTILATION BREATHER	
248	AUSFUEHRUNG KUPPLUNGSGEHAEUSE INTEGRATED	
251	ASSEMBLY POS. CLUTCH CYLINDER 6	
258	NO. PULSES PULSE SENSOR SFAH68 6 IMP/U	
261	VERSION PULSE SENSOR SFA H68 WITHOUT GROOVE	
264	PROT. CAP PULSE SENSOR SFA H68 n	
271	NO PULSES PULSE SENSOR TM H70 6 IMP/U	
272	VER. PULSE SENSOR TRANSM. H70 WITHOUT GROOVE	
273	PROT. CAP PULSE SENSOR TM H70 n	
274	ASSEMBLY POS PULSE SENSOR H70 1	
275	NOTE ASS. POS PULSE SENSOR H70 INSTALLATION DRAWING	
350	HINWEIS ZU OELBEFUELLUNG FILL IN OVERFLOW	
351	POSITION, OIL FILLER HOUSING LEFT+RIGHT	
355	OIL CAPACITY, GEARBOX 13 dm3	
356	OIL FILL VARIANT EX WORKS	
357	OIL GRADE PERMISSIBLE ACC. TO TE-ML02	
358	OIL CLASS C	
359	COLOR BLACK-GREY	
360	COLOUR CLASSIFICATION ACC. TO RAL 7021	
362	INFO TO PAINTING INSTRUCTIONS	
363	CODING OUTER CONSERVATION KA1	



Pos.	Information	Amendment number
364	SCOPE OUTER CONSERVATION T	
365	CODING INNER CONSERVATION KI1	
366	CONSERVATION SPECIFICATION ZFN 916	
368	Documents -----	
369	Drawing 1316.051.550	
370	Drawing 1316.101.035	
371	TURN.SHAFT CONT Drawing 1316.173.010	
372	Drawing 1316.655.025	
373	Alias ID -----	
374	IVECO MAGIRUS AG 41271566	



Graphics	Pos.	Material number	Name	VKF	Amend. no.	Amend. start	Prod. no.	Material feature / tech. info.	ID
068.01.05-1	110	1316.101.103	GEARBOX HOUSING	1		00.00.0000		DG/SG-KK*W I *FL.OHNE	3
068.01.05-1	120	1316.101.957	GEARBOX HOUSING	1		00.00.0000		DG/SG-KK *O.KAPPE	3
068.02.02-1	140	1315.102.415	CONNPLATE	1		00.00.0000		L-3*D62,611*AUSR-IVECO *GETR	3
068.02.02-1	150	1315.102.811	INPUT SHAFT	1		00.00.0000		A-PLATTE GETR*GEH.6KT-SCHR	3
068.02.02-1	910	1316.102.059	INPUT SHAFT	1		00.00.0000		SG-KK*16S221/251 *L117 *GL100*ZAPF.25	3
068.03.01-1	180	1316.103.803	LAYSHAFT	1		00.00.0000		PUMPE GETR*GEH.1 6KT-SCHR	3
068.03.01-1	920	1316.103.013	LAYSHAFT	1		00.00.0000		16S221*SG-KK*N.KONST.K.	3
068.04.13-1	930	1316.104.039	MAIN SHAFT	1		00.00.0000		16S221*SG-KK+DG*NEUES K.K *GP-SV*1-4G BK	3
068.06.01-1	230	1316.106.008	GEAR SHIFT SYSTEM	1		00.00.0000		WL*W I	3
068.06.01-1	234	1315.106.422	CONNECTING PARTS	1		00.00.0000		GEH.2 W I RG/HG-VERSCHL	3
068.06.01-1	238	1315.106.800	GEAR SHIFT SYSTEM	1		00.00.0000		GLEITSTEINE 1-4GANG *SCHALTSCHIENE VERSTIFTET	3
068.07.30-1	292	1316.108.817	GEAR SHIFT HOUSING	1		00.00.0000		WL-SERVO*H-H*SCHUTZK. *STOPFEN	3
068.07.30-1	910	1316.108.047	GEAR SHIFT HOUSING	1		00.00.0000		WL-SERVO*W I+H-H	3
068.07.30-1	914	1316.108.459	GEAR SHIFT SHAFT	1		00.00.0000		SERVO WL/WR*RASTE 200N	3
068.07.30-1	924	1316.108.026	DETENT	1		00.00.0000		WL/WR-SERVO*W I*H-H*HF120N*R.HEBEL LI AUSF.A	3
068.07.30-1	930	1316.108.811	COVER	1		00.00.0000		WL/WR-SERVO*W I/WII	3
062.08.30-1	954	1316.171.403	END COVER	1		00.00.0000		WL-SERVO	3
062.08.30-1	960	1316.171.427	PNEUMSERVOUNIT	1		00.00.0000		PSE LUFTVERT.MAGNETVENTIL *WL/WR*EUROPA	3
062.08.30-1	964	1316.171.831	CONNECTING PARTS	1		00.00.0000		WL/WR-SERVO*LA=F*D=OHNE *ROHR LUFTVERTEILER-HASV	3
068.09.01-1	934	1316.109.022	CONNECTING PARTS	1		00.00.0000		HASV 2-ST*D=1,55 INTEGR. *RG-RASTE 90N*WL/WR*SERVO	3
068.09.01-1	940	1316.109.419	CONNECTING PARTS	1		00.00.0000		NG-OEFF/BAJO*RG-SCHL*BAJO *SERVO	3
068.12.08-1	918	1316.149.422	SET OF SPRINGS	1		00.00.0000		SERVO-WL*Q1*WF 50 *RAEND=23*GS KOLBEN 50,5	3
068.40.03-1	500	1316.112.012	GV-SHIFT SYSTEM	1	C0100400 3F10	00.00.0000		235N*GV-LAG.GEH.1*LANG	3
068.40.03-1	502	1315.112.405	CONNECTING PARTS	1		00.00.0000		SG*GV-VORB	3

VKF Incidence factor

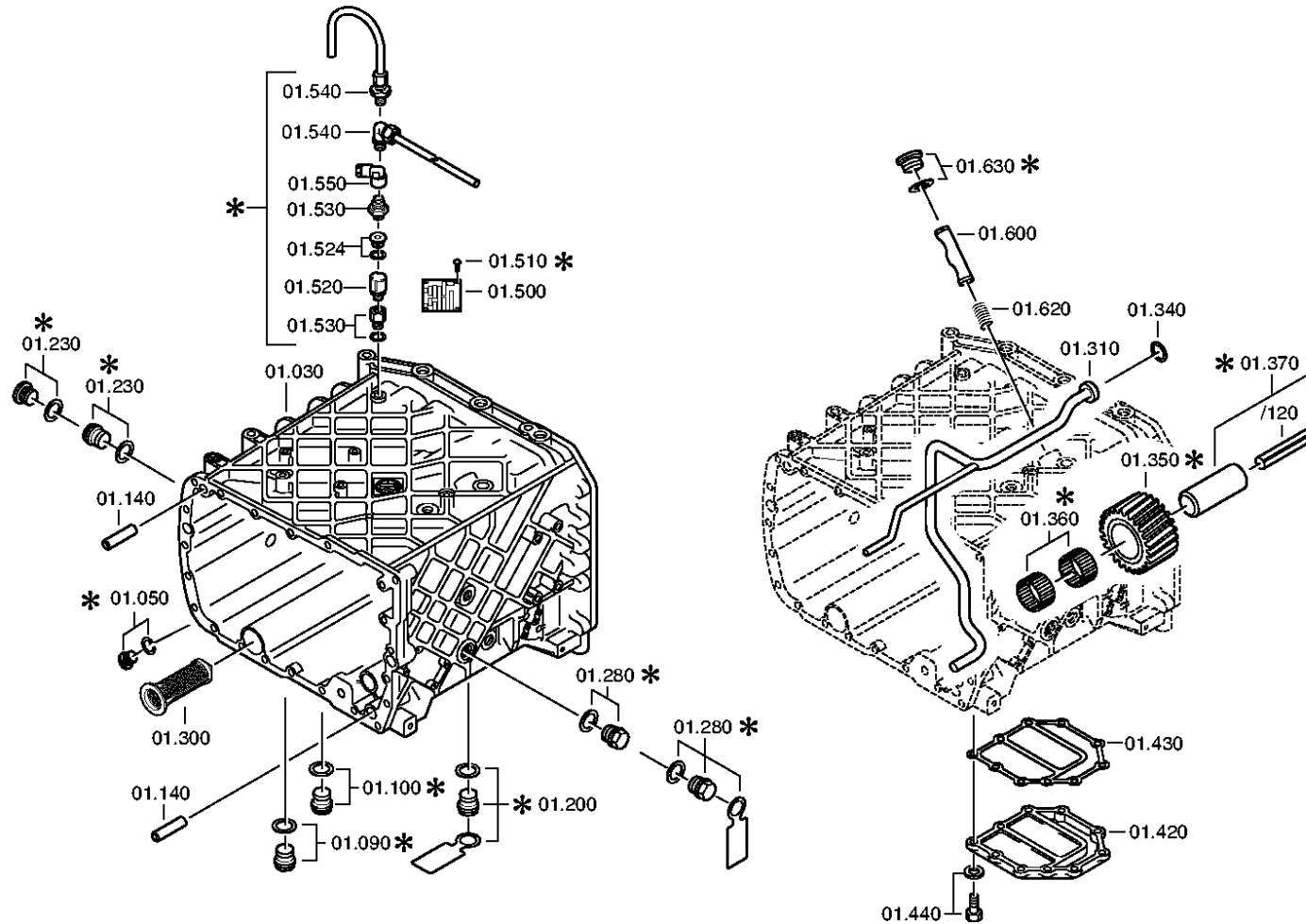
ID Identification (output code)

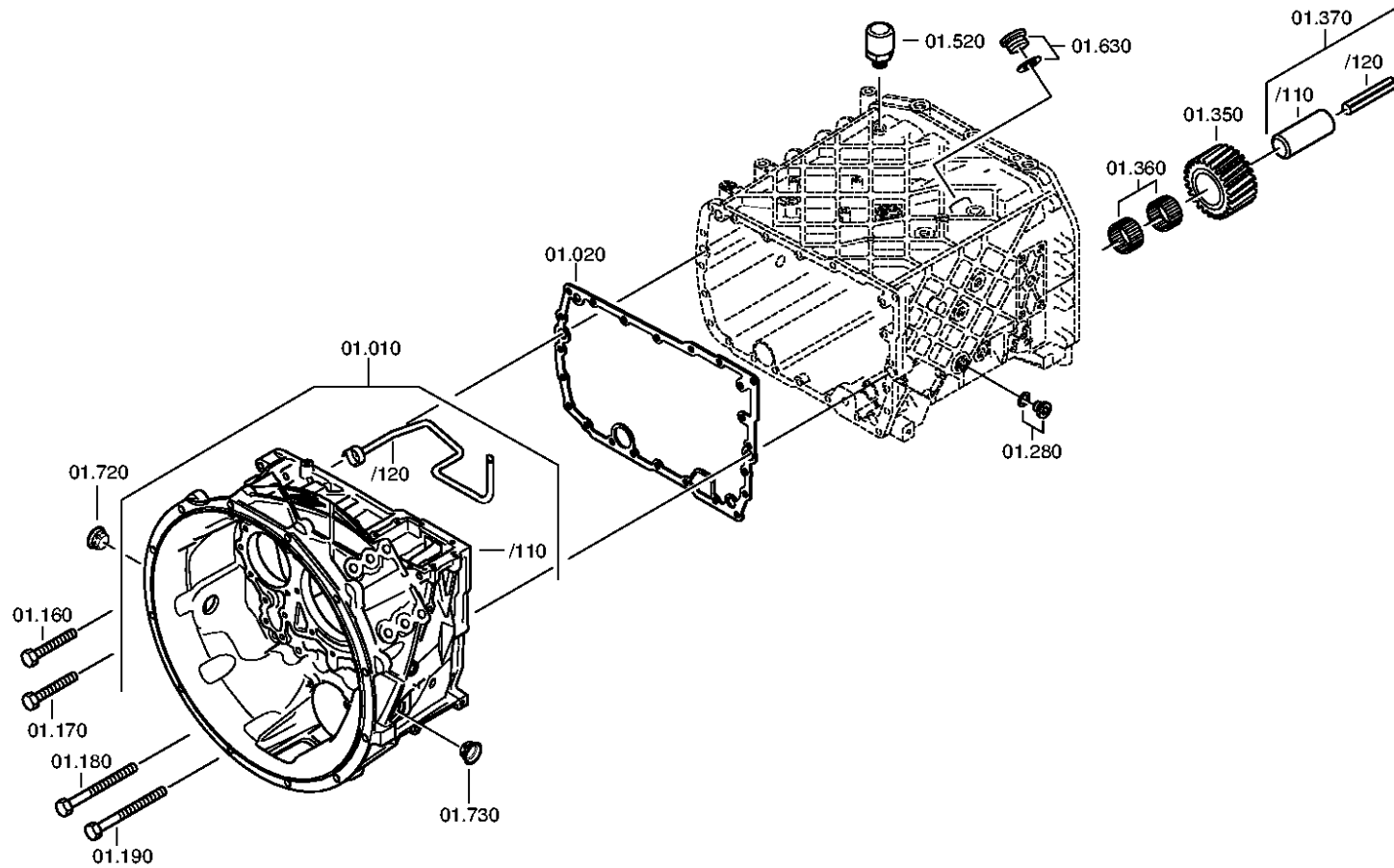


Graphics	Pos.	Material number	Name	VKF	Amend. no.	Amend. start	Prod. no.	Material feature / tech. info.	ID
068.43.02-1	10	1315.131.047	COVER	1	C0100892 9B10	00.00.0000		ABTR*L=52*GDAL *ECO II/III	3
068.43.02-1	20	1315.131.050	GP HOUSING	1	C0100892 9B10	00.00.0000		16S151/221*SOLO*ET *O.GP-LUFTKANAL	3
068.43.02-1	24	1315.131.401	CONNECTING PARTS	1		00.00.0000		E-TACHO-VORB*MECH.TACHO	3
068.43.02-1	30	1315.131.400	CLOSING COMPONENTS	1		00.00.0000		NA-OEFFNUNG	3
068.43.02-1	512	1315.131.805	GP HOUSING	1		00.00.0000			3
068.44.07-1	40	1316.132.015	PLANETARY DRIVE	1		00.00.0000		4,565*GP-SV*FL.PROF.90	3
068.44.07-1	50	1316.132.400	PLANETARY DRIVE	1		00.00.0000		180*LZ= 4*D=15,0*L=211,5	3
068.45.04-1	70	1316.133.008	SYNCHRONIZER	1		00.00.0000		MOLYB*FL-PROFIL 90*E/Z6-V *GP-SV*16S151/221	3
068.45.04-1	80	1315.133.405	SYNCHRONIZER	1	C0100174 5F10	00.00.0000		FL-PROFIL 80 GV-GP 16 S151*FL-PROFIL 90 SV-GP 16 S151-251	3
068.46.02-1	90	1316.134.021	GP SHIFT SYSTEM	1	C0100174 5F10	00.00.0000		SCHIENE LANG*GP-ANZ.SCHLT	3
068.46.02-1	554	1315.134.413	CONNECTING PARTS	1		00.00.0000		145N*GP-SCHL*BAJONETT *GV-LAG	3
068.57.04-1	390	1316.145.002	RANGE SELECTION	1	C0100384 4F10	00.00.0000		16S221 *VORGEFORMTE ROHRE	3

VKF Incidence factor

ID Identification (output code)







Pos.	Material number	Name	VKF	Amend. no.	Amend. start	Prod. no.	Material feature / tech. info.	OTK	External material no.	ID	Weight	SP
10	1316.201.142	CLUTCH HOUSING	1		00.00.0000		KPL.		42535851	3	0,000	
/110	1316.301.064	CLUTCH HOUSING	1		00.00.0000		ENTHALT.IN 1316 301 060(0)			5	0,000	
/120	1315.201.097	PIPE	1		00.00.0000		KPL.		42531423	3	0,000	
20	1315.301.233	GASKET	1	C0100534 8C10	00.00.0000	00.00.0000				5	0,000	
30	1316.201.110	HOUSING	1	C0100229 0A10	00.00.0000	00.00.0000	KPL.DG IN 1316 201 108(0)		42534698	3	0,000	
50	---	SCREW PLUG	1	C0100132 3B10	00.00.0000	00.00.0000	M24X1,5 * 60N.M* DICHTRING			3	0,000	
---	0736.305.070	SCREW PLUG	1		00.00.0000		ENTHALT.IN 0736 305 041(2)		42531479	5	0,000	
---	0730.008.637	SEALING RING	1		00.00.0000		A24X29			5	0,000	
90	---	SCREW PLUG	1	C0100132 2B10	00.00.0000	00.00.0000	M22X1,5 * 50N.M* DICHTRING			3	0,000	
---	0636.302.045	SCREW PLUG	1		00.00.0000		M22X1,5			5	0,040	
---	0730.009.515	SEALING RING	1		00.00.0000		A22X27		42536385	5	0,000	
100	---	SCREW PLUG	1	C0100132 2B10	00.00.0000	00.00.0000	M22X1,5 * 50N.M* DICHTRING			3	0,000	
---	0636.302.045	SCREW PLUG	1		00.00.0000		M22X1,5			5	0,040	
---	0730.009.515	SEALING RING	1		00.00.0000		A22X27		42536385	5	0,000	
140	0731.201.563	CYLINDRICAL PIN	4		00.00.0000				93190480	5	0,000	
160	---	HEXAGON BOLT	14		00.00.0000		M10X70			3	0,000	
---	0736.010.180	HEXAGON BOLT	14		00.00.0000		M10X70 IN 0736 010 183(2)		93190481	5	0,000	
170	---	HEXAGON BOLT	1		00.00.0000		M10X70			3	0,000	
---	0736.010.180	HEXAGON BOLT	1		00.00.0000		M10X70 IN 0736 010 183(2)		93190481	5	0,000	
180	---	HEXAGON BOLT	6		00.00.0000		M10X140			3	0,000	
---	0736.010.182	HEXAGON BOLT	6		00.00.0000		M10X140 IN 0736 010 183(2)		93190482	5	0,000	
190	---	HEXAGON BOLT	1		00.00.0000		M10X140			3	0,000	
---	0736.010.182	HEXAGON BOLT	1		00.00.0000		M10X140 IN 0736 010 183(2)		93190482	5	0,000	
200	---	SCREW PLUG	1	C0100132 3B10	00.00.0000	00.00.0000	M24X1,5 * 60N.M* DICHTRING			3	0,000	
---	0636.304.049	SCREW PLUG	1		00.00.0000		M24X1,5			5	0,094	
---	0730.008.637	SEALING RING	1		00.00.0000		A24X29			5	0,000	
230	---	SCREW PLUG	1	C0100132 3B10	00.00.0000	00.00.0000	M24X1,5 * 60N.M* DICHTRING			3	0,000	

VKF Incidence factor

OTK Optional technical kit

ID Identification (output code)

SP Supplier plant



Pos.	Material number	Name	VKF	Amend. no.	Amend. start	Prod. no.	Material feature / tech. info.	OTK	External material no.	ID	Weight	SP
---	0636.304.049	SCREW PLUG	1		00.00.0000		M24X1,5			5	0,094	
---	0730.008.637	SEALING RING	1		00.00.0000		A24X29			5	0,000	
280	---	SCREW PLUG	1	C0100132 3B10	00.00.0000	00.00.0000	M24X1,5 * 60N.M* DICHTRING			3	0,000	
---	0636.304.049	SCREW PLUG	1		00.00.0000		M24X1,5			5	0,094	
---	0730.008.637	SEALING RING	1		00.00.0000		A24X29			5	0,000	
300	0501.318.802	SCREEN INSERT	1	C0100094 7C10	00.00.0000	00.00.0000				5	0,000	
310	1316.201.056	SPRAY TUBE	1		00.00.0000		KPL. IN 1315 201 112(0)		93194055	3	0,000	
340	0634.313.198	O-RING	1		00.00.0000		20X3			5	1	
350	---	REVERSE IDLER GEAR	1	C0100641 3F10	00.00.0000	00.00.0000	WTB 1295 305 050(1)			3	0,000	
---	1316.305.001	REVERSE IDLER GEAR	1		00.00.0000		Z22 IN 1295 305 050(1)		93191173	5	0,000	
---	1316.305.008	REVERSE IDLER GEAR	1		00.00.0000		Z22 IN 1295 305 050(1)			5	0,000	
360	0750.115.369	NEEDLE CAGE	2		00.00.0000		WTB 45,0X57,0X25,0		01905368	3	0,000	
370	1316.201.029	REVERSE IDLER SHAFT	1		00.00.0000		KPL.16S221*DG*L=107			3	0,000	
/120	0631.329.296	SLOTPIN	1		00.00.0000		10X123		93191391	5	0,000	
420	1315.301.151	COVER	1		00.00.0000				93194331	5	0,000	
430	0501.316.146	GASKET	1	C0100216 6A10	00.00.0000	00.00.0000			42534432	5	0,000	
440	0636.100.082	HEXAGON BOLT	10		00.00.0000		M10X28			5	0,000	
500	---	TYPE PLATE	1		00.00.0000		WTB*KONZERN			3	0,000	
---	0730.365.241	TYPE PLATE	1		00.00.0000		EINHEITSSCH. VERDREHSICHER			5	0,000	
---	0730.365.259	TYPE PLATE	1		00.00.0000		EINHEITSSCH. VERDREHSICHER			5	0,000	
---	0730.365.267	TYPE PLATE	1		00.00.0000		CHINA			5	0,000	
---	0730.300.258	TYPE PLATE	1		00.00.0000		EINHEITSSCH. VERDREHSICHER			5	0,000	
---	0730.365.271	TYPE PLATE	1		00.00.0000		RUSSLAND/ KYRILLISCH			5	0,000	
---	0730.365.257	TYPE PLATE	1		00.00.0000		S.S.CH IRAN			5	0,000	

VKF Incidence factor

OTK Optional technical kit

ID Identification (output code)

SP Supplier plant



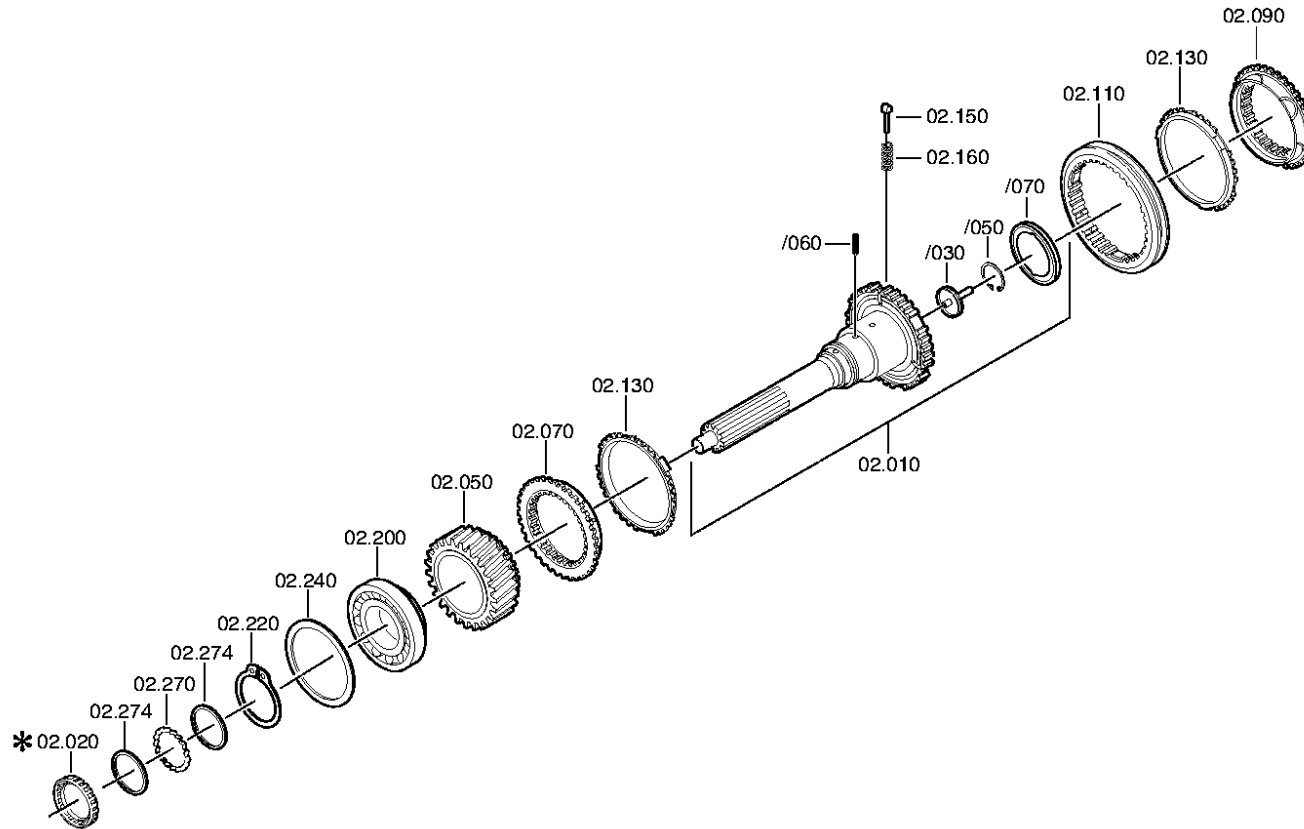
Pos.	Material number	Name	VKF	Amend. no.	Amend. start	Prod. no.	Material feature / tech. info.	OTK	External material no.	ID	Weight	SP
510	0731.101.049	BLIND RIVET	4	C0100418 9F10	00.00.0000	00.00.0000				5	0,000	
520	---	BREATHER	1		00.00.0000		M10X1KEG			3	0,000	
---	0501.202.797	BREATHER	1		00.00.0000		KPL.			3	30	
600	1313.306.013	LOCKING PIN	1		00.00.0000				93159630	5	0,000	
620	0732.040.736	COMPRSPRING	1		00.00.0000					5	5,200	
630	---	SCREW PLUG	1		00.00.0000		M26X1,5 * 70N.M* DICHRING			3	0,000	
---	0636.302.067	SCREW PLUG	1		00.00.0000		M26X1,5			5	70	
---	0634.801.249	SEALING RING	1		00.00.0000		26X31			5	0,010	
720	0501.321.840	PLUG	1		00.00.0000					5	0,000	
730	0501.321.840	PLUG	1		00.00.0000					5	0,000	

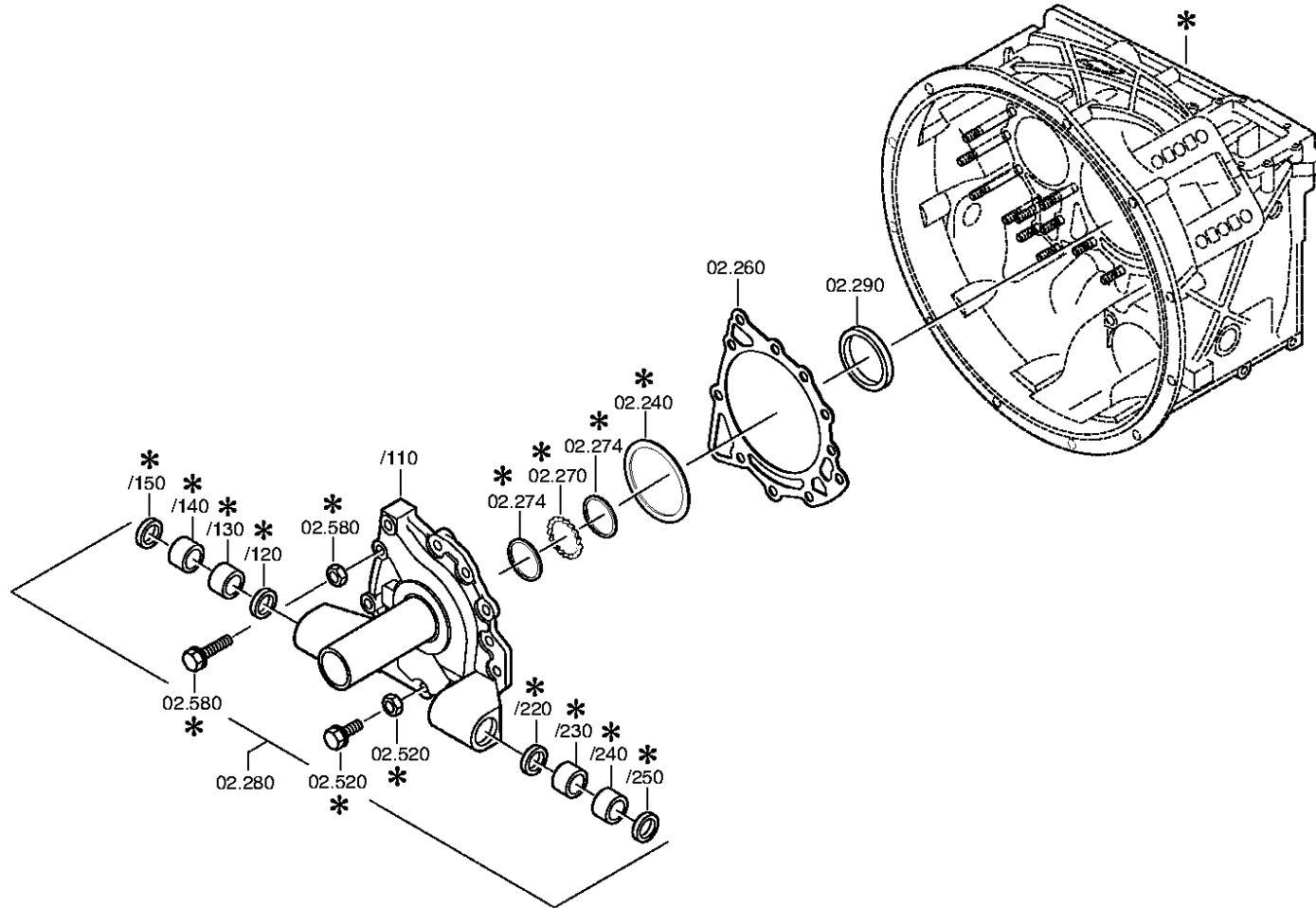
VKF Incidence factor

OTK Optional technical kit

ID Identification (output code)

SP Supplier plant







Pos.	Material number	Name	VKF	Amend. no.	Amend. start	Prod. no.	Material feature / tech. info.	OTK	External material no.	ID	Weight	SP
10	1316.202.026	INPUT SHAFT	1		00.00.0000		KPL.L117*GL100*ZAPF.25		42534643	3	0,000	
/30	1354.302.019	PIPE	1	Z0000383 0511	31.12.2010	31.12.2010				5	0,000	
/50	0630.502.027	RETAINING RING	1		00.00.0000		50X2			5	8	
/70	0501.314.060	OIL DAM	1	C0100533 2C10	00.00.0000	00.00.0000			93192003	5	0,000	
50	1316.302.067	HELICAL GEAR	1		00.00.0000		Z35 IN 1316 302 026(1)		42534756	5	0,000	
70	1312.304.027	CLUTCH BODY	1		00.00.0000		ENTHALT.IN 1310 304 107(1)		93156419	5	0,000	
90	1312.304.027	CLUTCH BODY	1	C0100468 1D10	00.00.0000	00.00.0000	ENTHALT.IN 1310 304 107(1)		93156419	5	0,000	
110	1310.304.202	SLIDING SLEEVE	1	C0100537 8A10	00.00.0000	00.00.0000			42534465	5	0,000	
130	1297.304.484	SYNCHRONING	2		00.00.0000				42532487	5	0,000	
150	1297.304.436	PRESSURE PIECE	3		00.00.0000					5	0,004	
160	0732.040.409	COMPRSPRING	3	C0100731 7F10	00.00.0000	00.00.0000			8866134	5	0,002	
200	0750.117.732	TAROLLBEARING	1		00.00.0000		WTB 85,0X150,0X30,5		02991733	3	0,000	
220	0730.501.598	RETAINING RING	1		00.00.0000		85X4		42534630	5	0,000	
240	---	SHIM	1		00.00.0000		A= 0,90- 2,20(ABSTUFUNG:0,05MM)			3	0,000	
---	2050.309.094	SHIM	1		00.00.0000		A=2,2 IN 2050 309 090 C45E WW.F500 ZFN410		93193565	5	0,000	
---	0730.007.489	SHIM	1		00.00.0000		A=2,15 IN 2050 309 090(2)		93193566	5	0,000	
---	0730.007.488	SHIM	1		00.00.0000		A=2,10 IN 2050 309 090(2)		93193567	5	0,000	
---	0730.007.487	SHIM	1		00.00.0000		A=2,05 IN 2050 309 090(2)		93193568	5	0,000	
---	0730.007.486	SHIM	1		00.00.0000		A=2,00 IN 2050 309 090(2)		93193569	5	0,000	
---	0730.007.485	SHIM	1		00.00.0000		A=1,95 IN 2050 309 090(2)		93193570	5	0,000	
---	0730.007.484	SHIM	1		00.00.0000		A=1,90 IN 2050 309 090(2)		93193571	5	0,000	
---	0730.007.483	SHIM	1		00.00.0000		A=1,85 IN 2050 309 090(2)		93193572	5	0,000	
---	0730.007.482	SHIM	1		00.00.0000		A=1,80 IN 2050 309 090(2)		93193573	5	0,000	
---	0730.007.481	SHIM	1		00.00.0000		A=1,75 IN 2050 309 090(2)		93193574	5	0,000	
---	0730.007.480	SHIM	1		00.00.0000		A=1,70 IN 2050 309 090(2)		93193575	5	0,000	
---	0730.007.479	SHIM	1		00.00.0000		A=1,65 IN 2050 309 090(2)		93193576	5	0,000	
---	0730.007.136	SHIM	1		00.00.0000		A=1,60 IN 2050 309 090(2)		93194008	5	0,000	

VKF Incidence factor

OTK Optional technical kit

ID Identification (output code)

SP Supplier plant



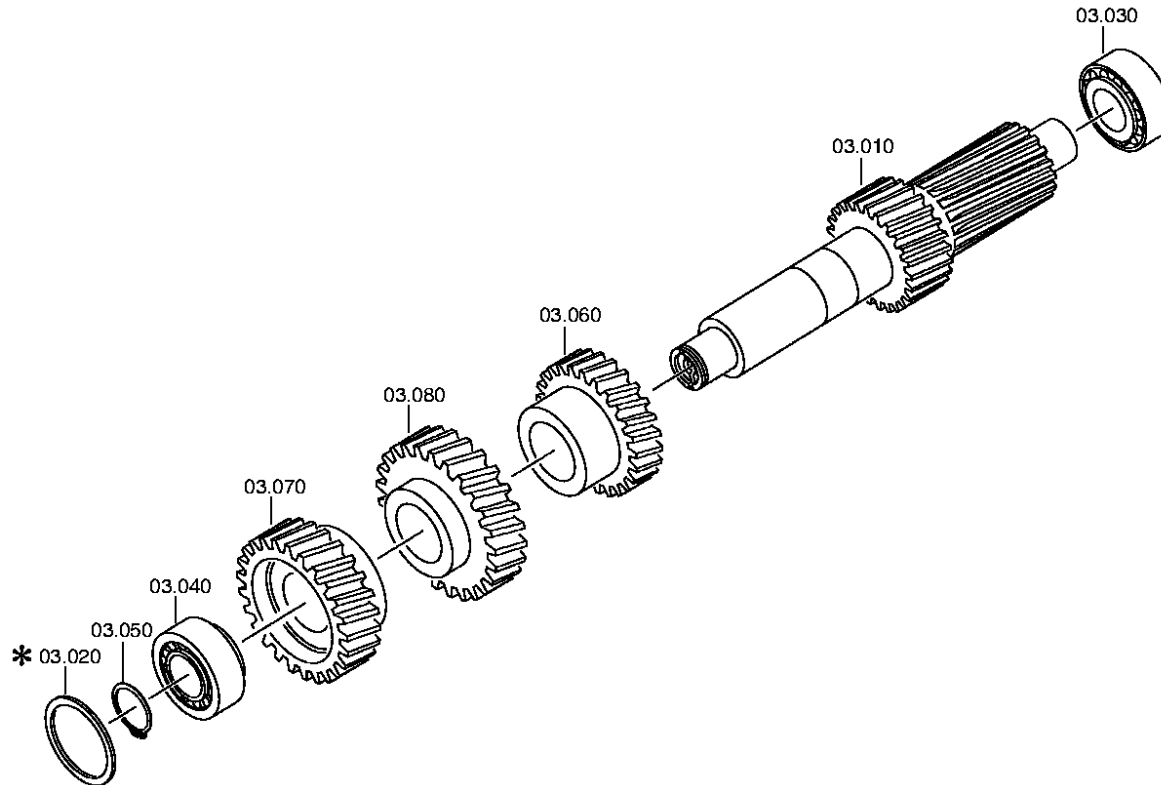
Pos.	Material number	Name	VKF	Amend. no.	Amend. start	Prod. no.	Material feature / tech. info.	OTK	External material no.	ID	Weight	SP
---	0730.007.135	SHIM	1		00.00.0000		A=1,55 IN 2050 309 090(2)		93194009	5	0,000	
---	0730.007.134	SHIM	1		00.00.0000		A=1,50 IN 2050 309 090(2)		93194010	5	0,000	
---	0730.007.133	SHIM	1		00.00.0000		A=1,45 IN 2050 309 090(2)		93194011	5	0,000	
---	0730.007.132	SHIM	1		00.00.0000		A=1,40 IN 2050 309 090(2)		93194012	5	0,000	
---	0730.007.131	SHIM	1		00.00.0000		A=1,35 IN 2050 309 090(2)		93194013	5	0,000	
---	0730.007.130	SHIM	1		00.00.0000		A=1,30 IN 2050 309 090(2)		93194014	5	0,000	
---	0730.007.129	SHIM	1		00.00.0000		A=1,25 IN 2050 309 090(2)		93194015	5	0,000	
---	2050.309.034	SHIM	1		00.00.0000		A=1,2 IN 2050 309 090 C45E WW.F500 ZFN410		02962362	5	0,000	
---	0730.007.128	SHIM	1		00.00.0000		A=1,15 IN 2050 309 090(2)		93194017	5	0,000	
---	0730.007.127	SHIM	1		00.00.0000		A=1,10 IN 2050 309 090(2)		93194018	5	0,000	
---	0730.007.126	SHIM	1		00.00.0000		A=1,05 IN 2050 309 090(2)		93194019	5	0,000	
---	2050.309.065	SHIM	1		00.00.0000		A=1,0 IN 2050 309 090 C45E WW.F500 ZFN410		02962363	5	0,000	
---	0730.005.749	SHIM	1		00.00.0000		A=0,95 IN 2050 309 090(2)		93156406	5	0,000	
---	0730.005.748	SHIM	1		00.00.0000		A=0,90 IN 2050 309 090(2)		93156407	5	0,000	
260	0501.314.587	GASKET	1		00.00.0000				93193577	5	0,000	
270	1315.302.040	SPACER RING	1		00.00.0000				93190503	5	0,000	
274	0730.150.766	WASHER	2		00.00.0000				93191177	5	0,000	
280	1315.202.055	CONNPLATE	1		00.00.0000		KPL.		42536234	3	0,000	
/130	0730.260.398	BUSH	1		00.00.0000		A=25,00		93190506	5	0,000	
/140	0730.260.398	BUSH	1		00.00.0000		A=25,00		93190506	5	0,000	
/230	0730.260.398	BUSH	1		00.00.0000		A=25,00		93190506	5	0,000	
/240	0730.260.398	BUSH	1		00.00.0000		A=25,00		93190506	5	0,000	
290	---	SHAFT SEAL	1	C0100211 1D10	00.00.0000	00.00.0000	75X55X8			3	0,000	
---	0734.310.387	SHAFT SEAL	1		00.00.0000		55X75X8/9,2 FA.CFW			5	0,000	
520	---	HEXAGON BOLT	8		00.00.0000		M10X35Z1DIN933ALT/10.9 A3C			3	0,000	
---	0636.015.592	HEXAGON BOLT	8		00.00.0000		M10X35		42536609	5	0,000	
580	---	HEXAGON BOLT	3		00.00.0000		M10X60Z1DIN933ALT/10.9 A3C			3	0,000	
---	0636.015.593	HEXAGON BOLT	3		00.00.0000		M10X60		42536610	5	0,000	

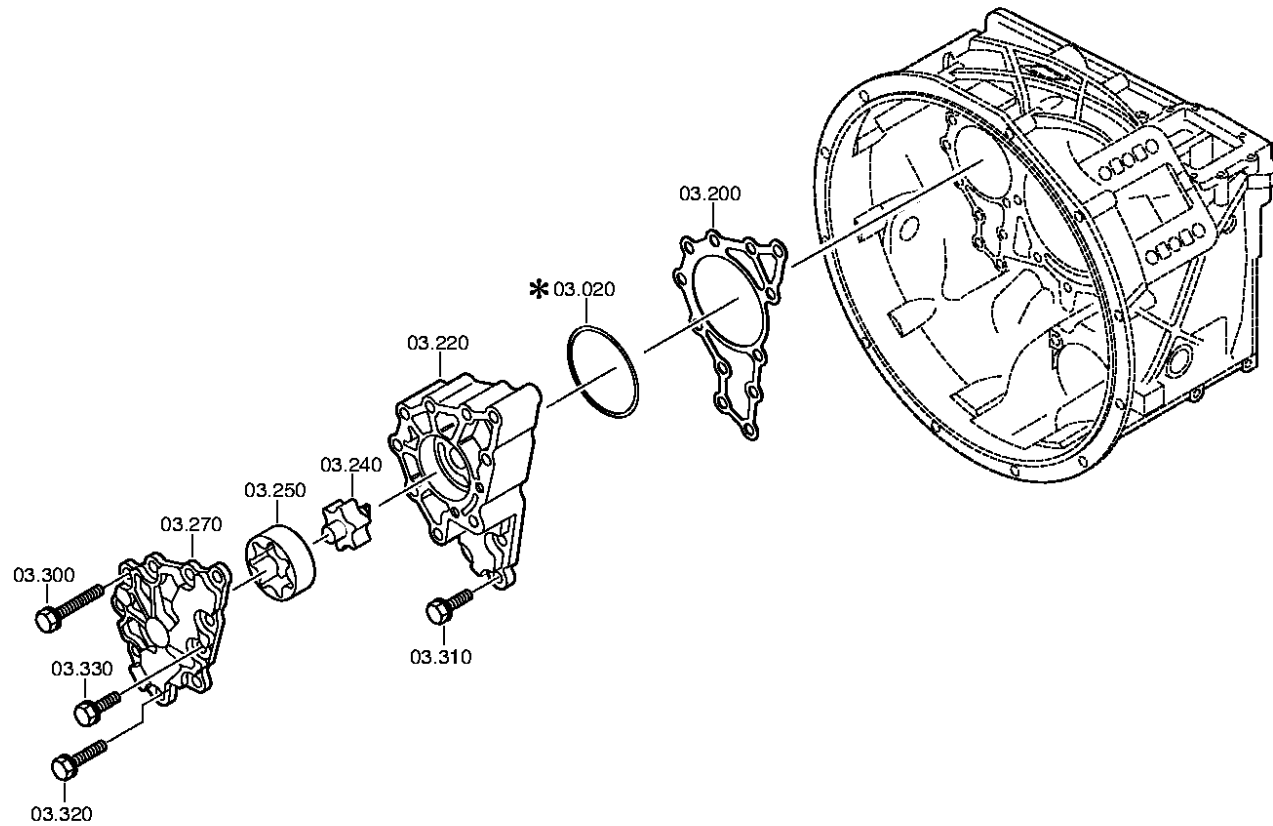
VKF Incidence factor

OTK Optional technical kit

ID Identification (output code)

SP Supplier plant







Pos.	Material number	Name	VKF	Amend. no.	Amend. start	Prod. no.	Material feature / tech. info.	OTK	External material no.	ID	Weight	SP
10	1316.303.033	LAYSHAFT	1		00.00.0000		ENTHALT.IN 1316 303 032(0)		93194079	5	0,000	
20	---	SHIM	1		00.00.0000		A= 1,85- 3,25(ABSTUFUNG:0,05MM)			3	0,000	
---	0730.112.938	SHIM	1	C0100737 5C10	00.00.0000	00.00.0000	A=3,25			5	0,000	
---	0730.112.937	SHIM	1	C0100737 5C10	00.00.0000	00.00.0000	A=3,20			5	0,000	
---	0730.112.936	SHIM	1	C0100737 5C10	00.00.0000	00.00.0000	A=3,15			5	0,000	
---	0730.112.935	SHIM	1	C0100737 5C10	00.00.0000	00.00.0000	A=3,10			5	0,000	
---	0730.106.860	SHIM	1	C0100737 5C10	00.00.0000	00.00.0000	A=3,05 IN 0730 106 904(2)		93156422	5	0,000	
---	0730.106.917	SHIM	1		00.00.0000		A=3,00 IN 0730 106 904(2)		93156423	5	0,000	
---	0730.106.916	SHIM	1		00.00.0000		A=2,95 IN 0730 106 904(2)		93156424	5	0,000	
---	0730.106.915	SHIM	1		00.00.0000		A=2,90 IN 0730 106 904(2)		93156425	5	0,000	
---	0730.106.914	SHIM	1		00.00.0000		A=2,85 IN 0730 106 904(2)		93156426	5	0,000	
---	0730.106.913	SHIM	1		00.00.0000		A=2,80 IN 0730 106 904(2)		93156427	5	0,000	
---	0730.106.912	SHIM	1		00.00.0000		A=2,75 IN 0730 106 904(2)		93156428	5	0,000	
---	0730.106.911	SHIM	1		00.00.0000		A=2,70 IN 0730 106 904(2)		93156429	5	0,000	
---	0730.106.910	SHIM	1		00.00.0000		A=2,65 IN 0730 106 904(2)		93156430	5	0,000	
---	0730.106.909	SHIM	1		00.00.0000		A=2,60 IN 0730 106 904(2)		93156431	5	0,000	
---	0730.106.908	SHIM	1		00.00.0000		A=2,55 IN 0730 106 904(2)		93156432	5	0,000	
---	0730.100.799	SHIM	1		00.00.0000		A=2,50 IN 0730 106 904(2)		93156433	5	0,000	
---	0730.100.800	SHIM	1		00.00.0000		A=2,45 IN 0730 106 904(2)		93156434	5	0,000	
---	0730.100.801	SHIM	1		00.00.0000		A=2,40 IN 0730 106 904(2)		93156435	5	0,000	
---	0730.100.802	SHIM	1		00.00.0000		A=2,35 IN 0730 106 904(2)		93156436	5	0,000	
---	0730.100.803	SHIM	1		00.00.0000		A=2,30 IN 0730 106 904(2)		93156437	5	0,000	
---	0730.101.466	SHIM	1		00.00.0000		A=2,25 IN 0730 106 904(2)		93156438	5	0,000	
---	0730.101.467	SHIM	1		00.00.0000		A=2,20 IN 0730 106 904(2)		93156439	5	0,000	
---	0730.101.468	SHIM	1		00.00.0000		A=2,15 IN 0730 106 904(2)		93156440	5	0,000	
---	0730.101.469	SHIM	1		00.00.0000		A=2,10 IN 0730 106 904(2)		93156441	5	0,000	
---	0730.101.470	SHIM	1		00.00.0000		A=2,05 IN 0730 106 904(2)		93156442	5	0,000	
---	0730.101.471	SHIM	1		00.00.0000		A=2,00 IN 0730 106 904(2)		93156443	5	0,000	

VKF Incidence factor

OTK Optional technical kit

ID Identification (output code)

SP Supplier plant



Pos.	Material number	Name	VKF	Amend. no.	Amend. start	Prod. no.	Material feature / tech. info.	OTK	External material no.	ID	Weight	SP
---	0730.106.907	SHIM	1		00.00.0000		A=1,95 IN 0730 106 904(2)		60173696	5	0,000	
---	0730.106.906	SHIM	1		00.00.0000		A=1,90 IN 0730 106 904(2)		93156445	5	0,000	
---	0730.106.905	SHIM	1		00.00.0000		A=1,85 IN 0730 106 904(2)		93156446	5	0,000	
30	0750.117.009	TAROLLEBEARING	1		00.00.0000		WTB 49,2X103,1X43,6		7982090	3	0,000	
40	0750.117.009	TAROLLEBEARING	1		00.00.0000		WTB 49,2X103,1X43,6		7982090	3	0,000	
50	---	RETAINING RING	1	C0100287 7A10	00.00.0000	00.00.0000	WTB -A= 2,40- 3,00(ABSTUFUNG:0,05MM)			3	0,000	
---	0630.531.065	RETAINING RING	1		00.00.0000		50X3		8870267ED12-0646	5	16	
---	0630.501.111	RETAINING RING	1		00.00.0000		50X2,95		93156025	5	0,000	
---	0630.501.112	RETAINING RING	1		00.00.0000		50X2,9		02965718	5	0,000	
---	0630.501.113	RETAINING RING	1		00.00.0000		50X2,85		93156026	5	0,000	
---	0630.501.114	RETAINING RING	1		00.00.0000		50X2,8		02965719	5	0,000	
---	0630.501.115	RETAINING RING	1		00.00.0000		50X2,75		93156027	5	0,000	
---	0630.501.116	RETAINING RING	1		00.00.0000		50X2,7		02966802	5	0,000	
---	0630.501.117	RETAINING RING	1		00.00.0000		50X2,65		02965720	5	0,000	
---	0630.501.118	RETAINING RING	1		00.00.0000		50X2,6		02966803	5	0,000	
---	0630.501.160	RETAINING RING	1		00.00.0000		50X2,55		93156028	5	0,000	
---	0630.531.064	RETAINING RING	1		00.00.0000		50X2,5			5	0,100	
---	0630.501.159	RETAINING RING	1		00.00.0000		50X2,45		93156029	5	0,000	
---	0630.501.148	RETAINING RING	1		00.00.0000		50X2,4		02966807	5	0,000	
60	1316.303.005	HELICAL GEAR	1		00.00.0000		3G/Z26 IN 1312 303 018(1)		93191181	5	0,000	
70	1316.303.071	HELICAL GEAR	1		00.00.0000		KON 1			5	0,000	
80	1316.303.065	HELICAL GEAR	1		00.00.0000		Z35 IN 1312 303 013(1)		42532748	5	0,000	
200	1315.303.060	GASKET	1	C0100534 9C10	00.00.0000	00.00.0000				5	0,000	
220	---	PUMP HOUSING	1		00.00.0000		WTB* *GD*G-ALS			3	0,000	
---	1315.302.121	PUMP HOUSING	1		00.00.0000				42531750	5	0,000	
---	1315.302.117	PUMP HOUSING	1		00.00.0000					5	0,000	
240	1314.202.039	PUMP SHAFT	1		00.00.0000		KPL.		42531421	3	0,000	
250	1315.303.027	ROTOR	1		00.00.0000				8866396	5	0,000	
270	---	PUMP COVER	1		00.00.0000		WTB* *GD*G-ALS			3	0,000	
---	1315.302.120	PUMP COVER	1		00.00.0000				42530599	5	0,000	
---	1315.302.116	PUMP COVER	1		00.00.0000					5	0,000	

VKF Incidence factor

OTK Optional technical kit

ID Identification (output code)

SP Supplier plant



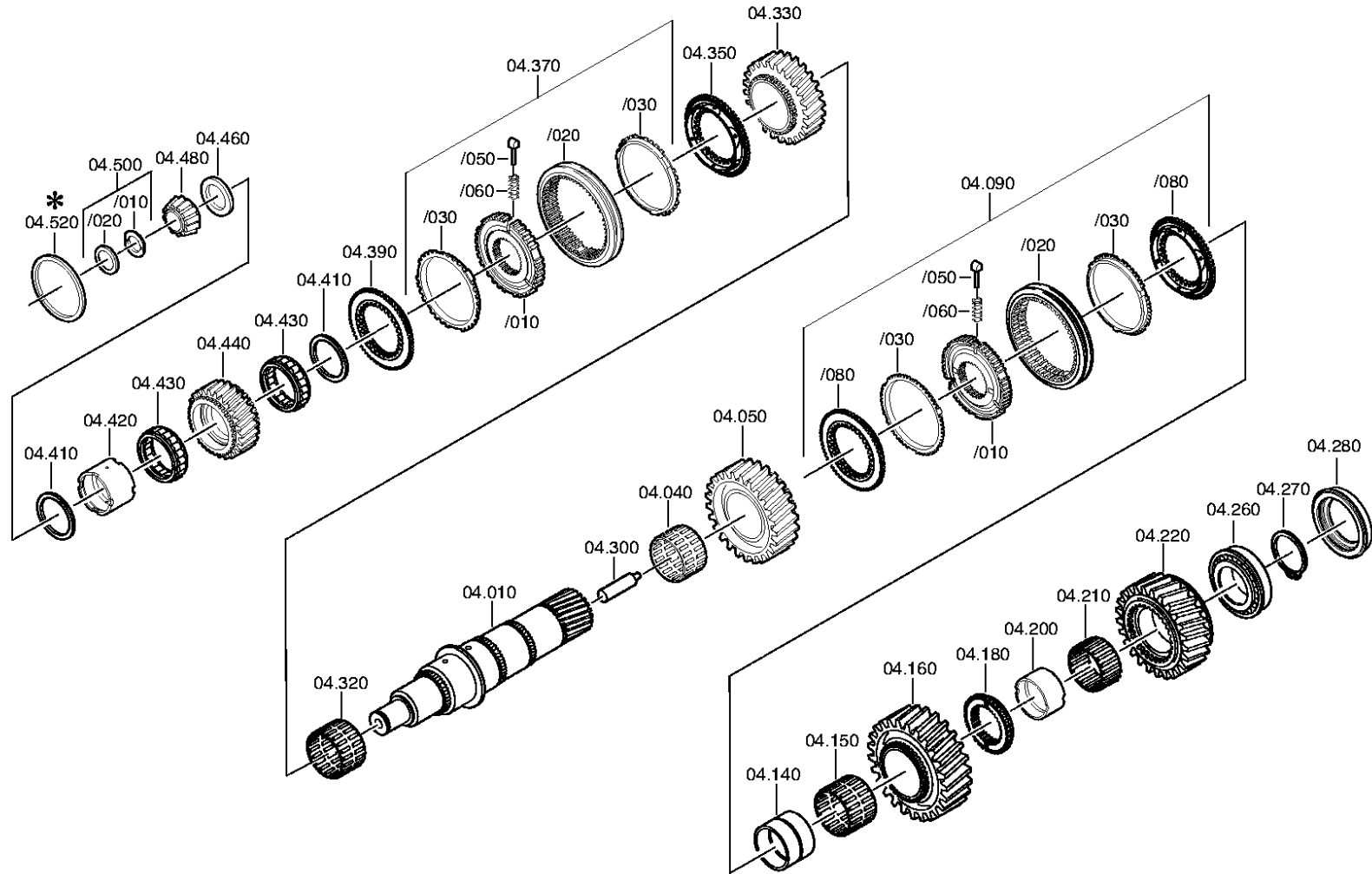
Pos.	Material number	Name	VKF	Amend. no.	Amend. start	Prod. no.	Material feature / tech. info.	OTK	External material no.	ID	Weight	SP
300	---	HEXAGON BOLT	8		00.00.0000		M10X85Z1DIN933ALT/10.9 A3C			3	0,000	
---	0636.015.594	HEXAGON BOLT	8		00.00.0000		M10X85		42536611	5	0,000	
310	---	HEXAGON BOLT	3		00.00.0000		M10X35Z1DIN933ALT/10.9 A3C			3	0,000	
---	0636.015.592	HEXAGON BOLT	3		00.00.0000		M10X35		42536609	5	0,000	
320	---	HEXAGON BOLT	1		00.00.0000		M10X60Z1DIN933ALT/10.9 A3C			3	0,000	
---	0636.015.593	HEXAGON BOLT	1		00.00.0000		M10X60		42536610	5	0,000	
330	---	HEXAGON BOLT	2		00.00.0000		M10X35Z1DIN933ALT/10.9 A3C			3	0,000	
---	0636.015.592	HEXAGON BOLT	2		00.00.0000		M10X35		42536609	5	0,000	

VKF Incidence factor

OTK Optional technical kit

ID Identification (output code)

SP Supplier plant





Pos.	Material number	Name	VKF	Amend. no.	Amend. start	Prod. no.	Material feature / tech. info.	OTK	External material no.	ID	Weight	SP
10	1316.304.132	MAIN SHAFT	1		00.00.0000				42535311	5	0,000	
40	0750.115.303	NEEDLE CAGE	1		00.00.0000		WTB 92,0X100,0X63,0		93156451	3	0,000	
50	1316.304.002	HELICAL GEAR	1		00.00.0000		2G/Z38 IN 1316 304 005(1)		93191184	5	0,000	
90	1316.204.017	SYNCHRONIZER	1	C0100719 0D10	00.00.0000	00.00.0000	KPL.1+2G*BK160 MOLYBDAEN			3	0,000	
/10	1316.304.163	SYNCHROBODY	1		00.00.0000		ZF-BK160			5	0,000	
/20	1316.304.169	SLIDING SLEEVE	1		00.00.0000				42549965	5	0,000	
/30	1316.304.170	SYNCHRORING	2		00.00.0000				42549966	5	0,000	
/50	1297.304.436	PRESSURE PIECE	3		00.00.0000					5	0,004	
/60	0732.040.409	COMPRSPRING	3		00.00.0000				8866134	5	0,002	
/80	1316.304.156	CLUTCH BODY	2		00.00.0000		ZF-BK160			5	0,000	
140	1312.304.084	BUSH	1		00.00.0000		ENTHALT.IN 1312 304 007(2)		93156461	5	0,000	
150	0750.115.327	NEEDLE CAGE	1		00.00.0000		WTB 96,0X104,0X72,0		93156462	3	0,000	
160	1316.304.010	HELICAL GEAR	1		00.00.0000		1G/Z47 IN 1312 304 033(0)		93191185	5	0,000	
180	1312.304.124	CLUTCH BODY	1		00.00.0000		ENTHALT.IN 1312 304 055(0)		93191186	5	0,000	
200	1316.304.133	BUSH	1		00.00.0000		A=50,00 IN 1312 304 010(2)		42534705	5	0,000	
210	0750.115.326	NEEDLE CAGE	1		00.00.0000		WTB 90,0X98,0X50,0		93156466	3	0,000	
220	1316.304.012	HELICAL GEAR	1		00.00.0000		RG*Z44 IN 1312 304 125(0)		93191187	5	0,000	
260	0750.117.678	TAROLLBEARING	1		00.00.0000		WTB 80,0X140,0X36,5			3	0,000	
270	---	RETAINING RING	1		00.00.0000		A= 2,20- 3,65(ABSTUFUNG:0,06MM)			3	0,000	
---	0630.501.316	RETAINING RING	1		00.00.0000		80X3,5		93156467	5	0,000	
---	0630.501.336	RETAINING RING	1		00.00.0000		80X3,45		93156468	5	0,000	
---	0630.501.315	RETAINING RING	1		00.00.0000		80X3,4		93156469	5	0,000	
---	0630.501.335	RETAINING RING	1		00.00.0000		80X3,35		93156470	5	0,000	
---	0630.501.314	RETAINING RING	1		00.00.0000		80X3,3		93156471	5	0,000	
---	0630.501.334	RETAINING RING	1		00.00.0000		80X3,25		93156472	5	0,000	
---	0630.501.313	RETAINING RING	1		00.00.0000		80X3,2		93156473	5	0,000	
---	0630.501.333	RETAINING RING	1		00.00.0000		80X3,15		93156474	5	0,000	
---	0630.501.312	RETAINING RING	1		00.00.0000		80X3,1		93156475	5	0,000	
---	0630.501.337	RETAINING RING	1		00.00.0000		80X3,55		93156485	5	0,000	
---	0630.501.338	RETAINING RING	1		00.00.0000		80X3,6		93156486	5	0,000	
---	0630.501.339	RETAINING RING	1		00.00.0000		80X3,65		93156487	5	0,000	
280	1315.332.073	PRESSURE DISC	1		00.00.0000					5	0,000	

VKF Incidence factor

OTK Optional technical kit

ID Identification (output code)

SP Supplier plant



Pos.	Material number	Name	VKF	Amend. no.	Amend. start	Prod. no.	Material feature / tech. info.	OTK	External material no.	ID	Weight	SP
300	1312.304.150	PIPE	1		00.00.0000				93193506	5	0,000	
320	0750.115.303	NEEDLE CAGE	1		00.00.0000		WTB 92,0X100,0X63,0		93156451	3	0,000	
330	1316.304.008	HELICAL GEAR	1		00.00.0000		3G/Z34 IN 1312 304 135(1)		93191188	5	0,000	
350	1316.304.159	CLUTCH BODY	1	C0100129 5D10	00.00.0000	00.00.0000	ZF-BK 144			5	0,000	
370	1316.204.016	SYNCHRONIZER	1	C0100718 9D10	00.00.0000	00.00.0000	KPL.			3	0,000	
/10	1316.304.162	SYNCHROBODY	1		00.00.0000		ZF-BK144			5	0,000	
/20	1316.304.167	SLIDING SLEEVE	1		00.00.0000		ZF-BK 144 O		42549967	5	0,000	
/30	1316.304.168	SYNCHRORING	2		00.00.0000		ZF-BK 144 0		42549968	5	0,000	
/50	1297.304.436	PRESSURE PIECE	3		00.00.0000					5	0,004	
/60	0732.040.409	COMPRSPRING	3		00.00.0000				8866134	5	0,002	
390	1316.304.159	CLUTCH BODY	1	C0100129 5D10	00.00.0000	00.00.0000	ZF-BK 144			5	0,000	
410	0750.101.158	THRUST WASHER	2		00.00.0000				42535316	3	0,000	
420	0750.119.124	INTERNAL RING	1		00.00.0000		67,0X77,0X66,1		42535317	3	0,000	
430	0750.115.531	ROLLER CAGE	2		00.00.0000		77,0X101,0X29,0			3	0,000	
440	1316.304.103	HELICAL GEAR	1		00.00.0000		Z32		42532747	5	0,000	
460	---	AXIAL WASHER	1		00.00.0000		A= 7,30- 8,00(ABSTUFUNG:0,10MM)			3	0,000	
---	1315.304.048	AXIAL WASHER	1		00.00.0000		A=8,00 IN 1315 304 042(2)			5	0,000	
---	1315.304.047	AXIAL WASHER	1		00.00.0000		A=7,90 IN 1315 304 042(2)		93191194	5	0,000	
---	1315.304.046	AXIAL WASHER	1		00.00.0000		A=7,80 IN 1315 304 042(2)			5	0,000	
---	1315.304.045	AXIAL WASHER	1		00.00.0000		A=7,70 IN 1315 304 042(2)		93191195	5	0,000	
---	1315.304.044	AXIAL WASHER	1		00.00.0000		A=7,60 IN 1315 304 042(2)			5	0,000	
---	1315.304.043	AXIAL WASHER	1		00.00.0000		A=7,50 IN 1315 304 042(2)		93191196	5	0,000	
---	1315.304.085	AXIAL WASHER	1		00.00.0000		A=7,40 IN 1315 304 042(2)			5	0,000	
---	1315.304.086	AXIAL WASHER	1		00.00.0000		A=7,30 IN 1315 304 042(2)			5	0,000	
480	0750.117.232	TAROLLBEARING	1		00.00.0000		WTB 42,0X40,3		93156500	3	0,000	
500	1312.204.040	SPLIT RING	1		00.00.0000		GESTANZT			3	0,000	
/10	---	SPLIT RING	2		00.00.0000		A= 4,60- 5,00(ABSTUFUNG:0,10MM)			3	0,000	
---	0730.107.023	SPLIT RING	2		00.00.0000		A=5,00 IN 0730 106 207(2)		93156502	5	0,000	
---	0730.107.022	SPLIT RING	2		00.00.0000		A=4,90 IN 0730 106 207(2)		93156503	5	0,000	

VKF Incidence factor

OTK Optional technical kit

ID Identification (output code)

SP Supplier plant



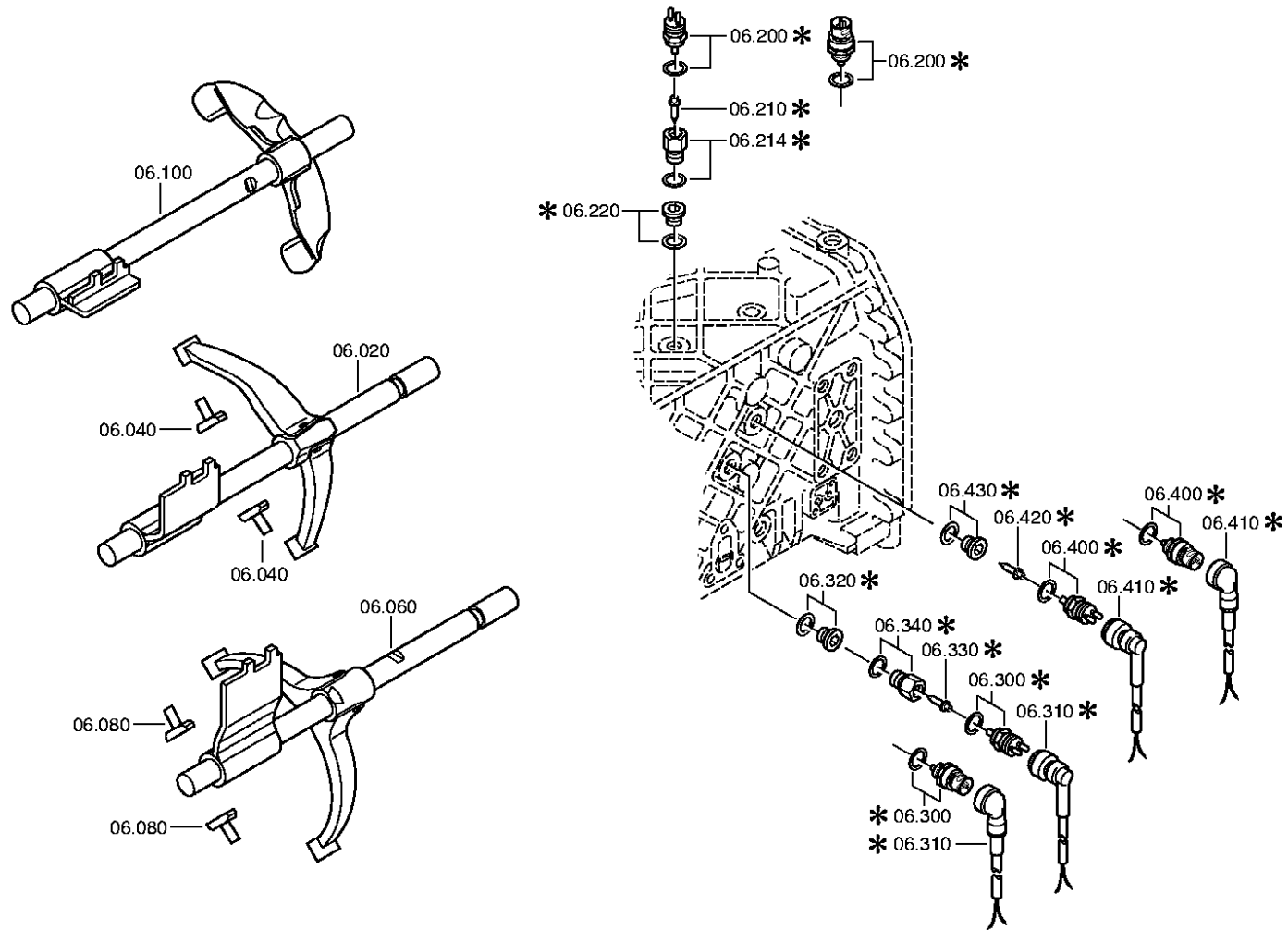
Pos.	Material number	Name	VKF	Amend. no.	Amend. start	Prod. no.	Material feature / tech. info.	OTK	External material no.	ID	Weight	SP
---	0730.107.021	SPLIT RING	2		00.00.0000		A=4,80 IN 0730 106 207(2)		93156504	5	0,000	
---	0730.107.020	SPLIT RING	2		00.00.0000		A=4,70 IN 0730 106 207(2)		93156505	5	0,000	
---	0730.107.019	SPLIT RING	2		00.00.0000		A=4,60 IN 0730 106 207(2)		93156506	5	0,000	
/20	0730.062.781	RETAINING RING	1		00.00.0000		ENTHALT.IN 0730 062 636(2)		93156515	5	0,000	

VKF Incidence factor

OTK Optional technical kit

ID Identification (output code)

SP Supplier plant





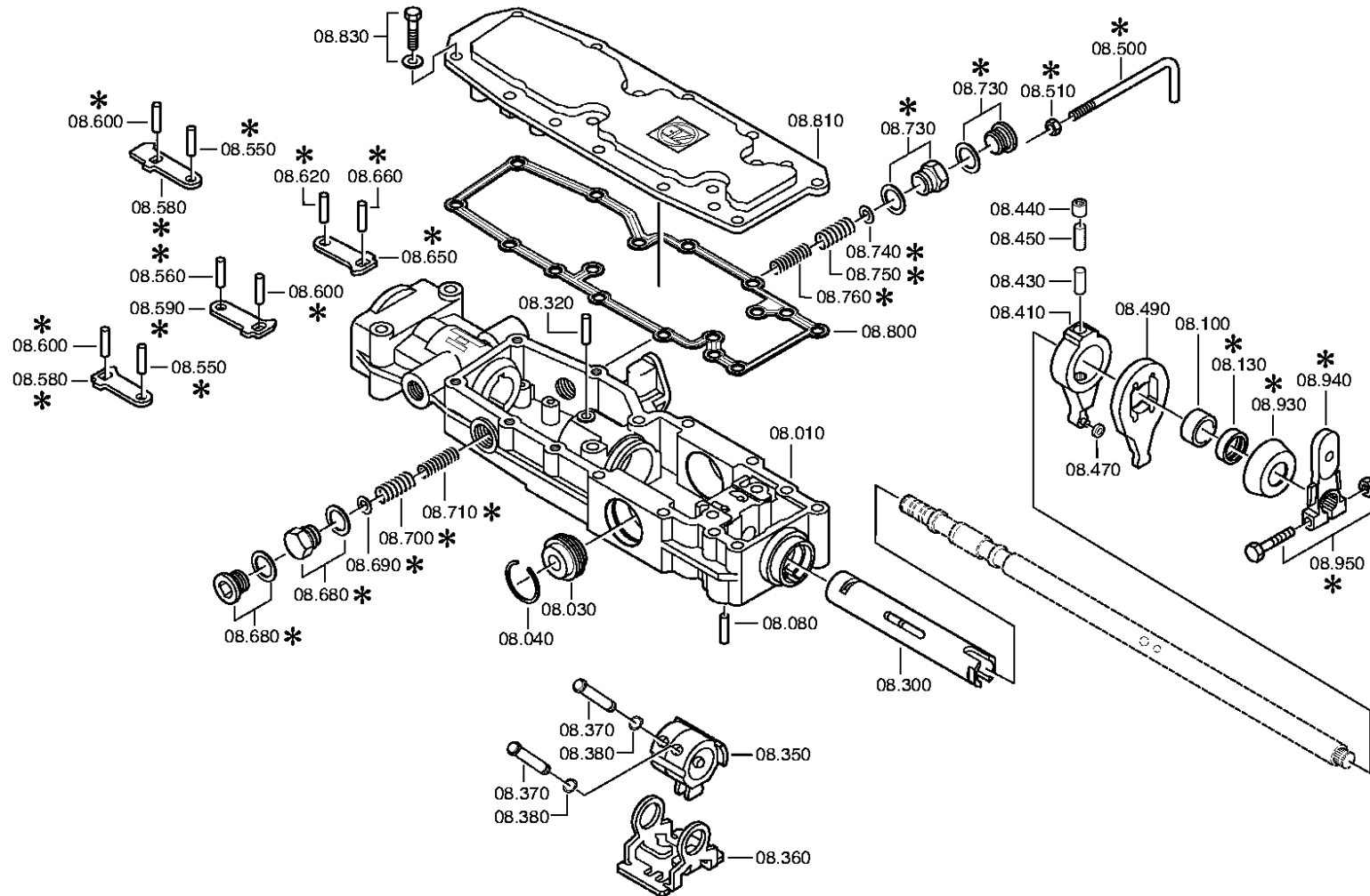
Pos.	Material number	Name	VKF	Amend. no.	Amend. start	Prod. no.	Material feature / tech. info.	OTK	External material no.	ID	Weight	SP
20	1316.206.055	GEAR SHIFT RAIL	1		00.00.0000		1+2GANG*LANG*WI			3	0,000	
/10	1316.306.026	GEAR SHIFT RAIL	1		00.00.0000					5	0,000	
/20	1355.306.006	GEAR SHIFT FORK	1		00.00.0000		1/2G			5	0,000	
/30	0501.216.602	DRIVER	1		00.00.0000		KPL.			5	0,000	
//10	0501.324.853	DRIVER	1		00.00.0000					5	0,000	
//20	0730.513.462	SNAP RING	1		00.00.0000					5	0,000	
40	1316.306.015	SLIDING PAD	2		00.00.0000				42537353	5	0,000	
60	1316.206.058	GEAR SHIFT RAIL	1		00.00.0000		3+4GANG*LANG*WI			3	0,000	
/10	1316.306.030	GEAR SHIFT RAIL	1		00.00.0000					5	0,000	
/20	1325.306.028	GEAR SHIFT FORK	1		00.00.0000		3/4G			5	0,000	
/30	0501.213.881	DRIVER	1		00.00.0000		KPL.			5	0,000	
/50	0631.329.086	SLOTPIN	1		00.00.0000		8X40			5	7,800	
/60	0631.329.057	SLOTPIN	1		00.00.0000		5X40			5	0,000	
80	1316.306.015	SLIDING PAD	2		00.00.0000				42537353	5	0,000	
100	1316.206.061	GEAR SHIFT RAIL	1		00.00.0000		R-GANG*LANG*WI			3	0,000	
/10	1316.306.028	GEAR SHIFT RAIL	1		00.00.0000					5	0,000	
/20	1355.306.003	GEAR SHIFT FORK	1		00.00.0000		RG			5	0,000	
/30	0501.213.882	DRIVER	1		00.00.0000		KPL.			5	0,000	
/50	0631.329.086	SLOTPIN	1		00.00.0000		8X40			5	7,800	
/60	0631.329.057	SLOTPIN	1		00.00.0000		5X40			5	0,000	
220	---	SCREW PLUG	1		00.00.0000		M18X1,5 * 35N.M* DICHTRING			3	0,000	
---	0636.302.021	SCREW PLUG	1		00.00.0000		M18X1,5			5	0,090	
---	0634.801.062	SEALING RING	1		00.00.0000		18X24			5	0,001	
320	---	SCREW PLUG	1		00.00.0000		M18X1,5 * 35N.M* DICHTRING			3	0,000	
---	0636.302.021	SCREW PLUG	1		00.00.0000		M18X1,5			5	0,090	
---	0634.801.062	SEALING RING	1		00.00.0000		18X24			5	0,001	

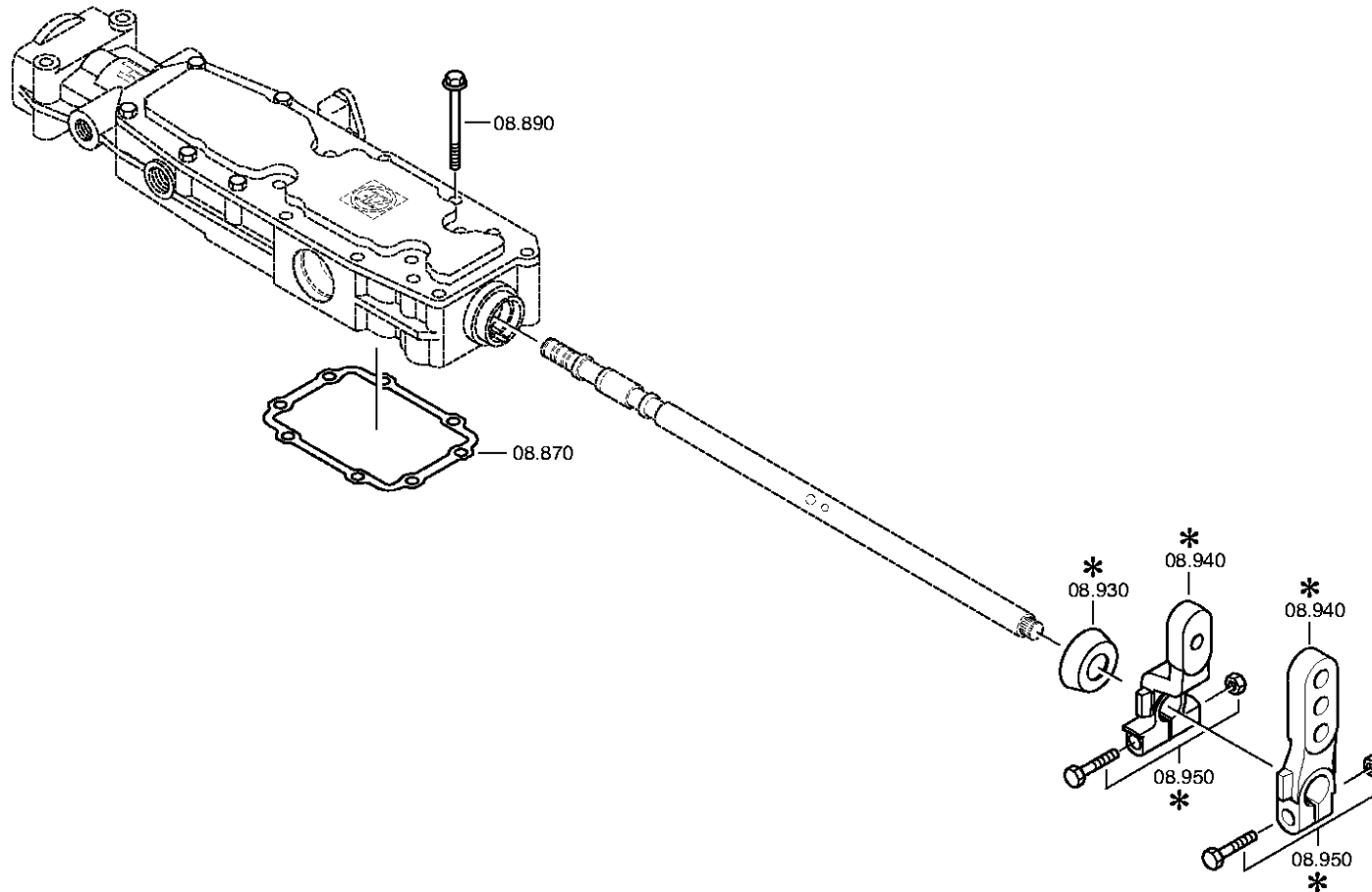
VKF Incidence factor

OTK Optional technical kit

ID Identification (output code)

SP Supplier plant







Pos.	Material number	Name	VKF	Amend. no.	Amend. start	Prod. no.	Material feature / tech. info.	OTK	External material no.	ID	Weight	SP
10	1315.307.383	GEAR SHIFT HOUSING	1		00.00.0000				42536662	5	0,000	
30	0501.209.212	DETENT	1		00.00.0000		KPL.		93193589	5	0,000	
40	0630.532.130	V-RING	1		00.00.0000					5	0,000	
80	0631.306.123	CYLINDRICAL PIN	1		00.00.0000		8X24			5	10	
100	0730.260.703	BUSH	1		00.00.0000		A=13,70		42534649	5	0,000	
130	0734.309.765	SHAFT SEAL	1	C0100590 6F10	00.00.0000	00.00.0000	28X42X11 FA.SKT			5	0,000	
300	1315.307.294	QUILL SHAFT	1		00.00.0000		ENTHALT.IN 1315.307. 293(1)		42534652	5	0,000	
320	0731.201.702	PIN	1		00.00.0000				42534653	5	0,000	
350	1315.307.319	DRIVER	1		00.00.0000				42534654	5	0,000	
360	1315.307.218	LOCKING PIECE	1		00.00.0000				42534655	5	0,000	
370	1316.208.003	PIN	2		00.00.0000		KPL.			3	0,000	
380	0630.501.006	RETAINING RING	2		00.00.0000		10X1			5	0,410	
410	1316.208.002	VALVE LEVER	1		00.00.0000		KPL.		42535208	3	0,000	
430	0731.201.732	PIN	1		00.00.0000				42534658	5	0,000	
440	0635.303.019	NEEDLE BUSH	1		00.00.0000		10X14X15		2991765	5	0,000	
450	0731.201.732	PIN	1		00.00.0000				42534658	5	0,000	
470	1315.307.226	ROLLER	1		00.00.0000				42534660	5	0,000	
490	1315.307.292	LEVER	1		00.00.0000				42534661	5	0,000	
560	0631.306.832	CYLINDRICAL PIN	1		00.00.0000		6X20		7981937	5	0,000	
590	1315.307.203	DETENT LEVER	1		00.00.0000				42534662	5	0,000	
600	0631.306.832	CYLINDRICAL PIN	1		00.00.0000		6X20		7981937	5	0,000	
620	0631.306.832	CYLINDRICAL PIN	1		00.00.0000		6X20		7981937	5	0,000	
650	1315.307.203	DETENT LEVER	1		00.00.0000				42534662	5	0,000	
660	0631.306.832	CYLINDRICAL PIN	1		00.00.0000		6X20		7981937	5	0,000	
680	---	SCREW	1	C0100132 2B10	00.00.0000	00.00.0000	M22X1,5			3	0,000	
---	1315.307.019	SCREW	1		00.00.0000		M22X1,5 IN 1315 307 363(2)		93190540	5	0,000	
---	0730.009.515	SEALING RING	1		00.00.0000		A22X27		42536385	5	0,000	
700	0732.040.985	COMPRSPRING	1		00.00.0000				42486001	5	0,000	
730	---	SCREW	1	C0100132 2B10	00.00.0000	00.00.0000	M22X1,5			3	0,000	
---	1315.307.019	SCREW	1		00.00.0000		M22X1,5 IN 1315 307 363(2)		93190540	5	0,000	

VKF Incidence factor

OTK Optional technical kit

ID Identification (output code)

SP Supplier plant



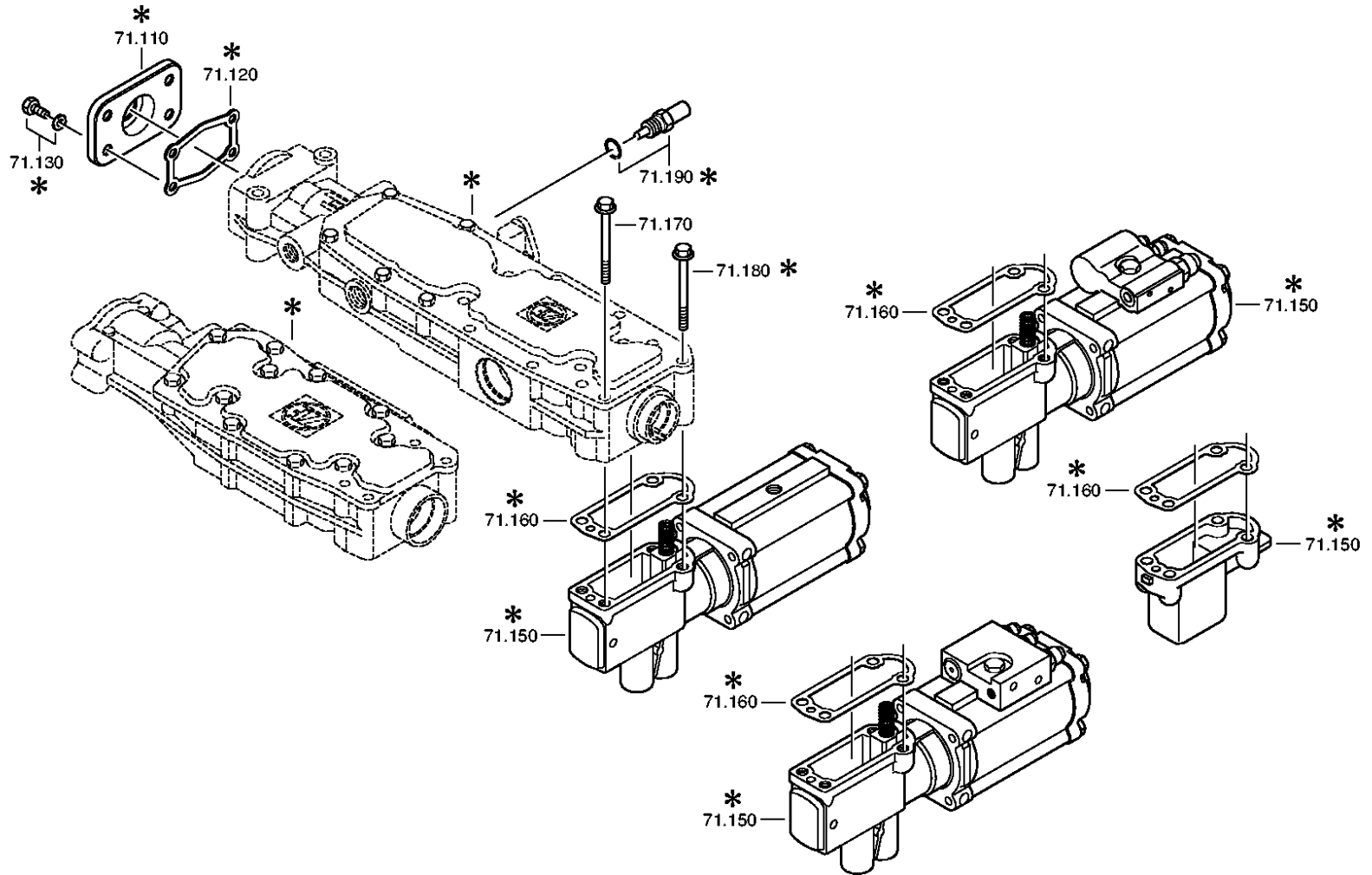
Pos.	Material number	Name	VKF	Amend. no.	Amend. start	Prod. no.	Material feature / tech. info.	OTK	External material no.	ID	Weight	SP
---	0730.009.515	SEALING RING	1		00.00.0000		A22X27		42536385	5	0,000	
750	0732.040.985	COMPRSPRING	1		00.00.0000				42486001	5	0,000	
800	0501.324.072	GASKET	1	C0100335 3F10	00.00.0000	00.00.0000				5	0,000	
810	1315.307.286	COVER	1	C0100002 0A10	00.00.0000	00.00.0000			42534664	5	0,000	
830	---	HEXAGON BOLT	5	C0100466 3F10	00.00.0000	00.00.0000	M8X25 ISO4017/8.8 A3C			3	0,000	
---	0636.015.257	HEXAGON BOLT	5		00.00.0000		M8X25		16605624EY11-0102	5	0,010	
---	0630.001.075	WASHER	5		00.00.0000				16665511EY11-0413	5	0,002	
870	1315.307.013	GASKET	1		00.00.0000				93163873	5	0,000	
890	---	HEXAGON BOLT	8		00.00.0000		M8X80			3	0,000	
---	0736.010.203	HEXAGON BOLT	8		00.00.0000				93193334	5	0,000	
930	1341.307.104	PROTECTING CAP	1	C0100703 4F10	00.00.0000	00.00.0000				5	0,000	

VKF Incidence factor

OTK Optional technical kit

ID Identification (output code)

SP Supplier plant



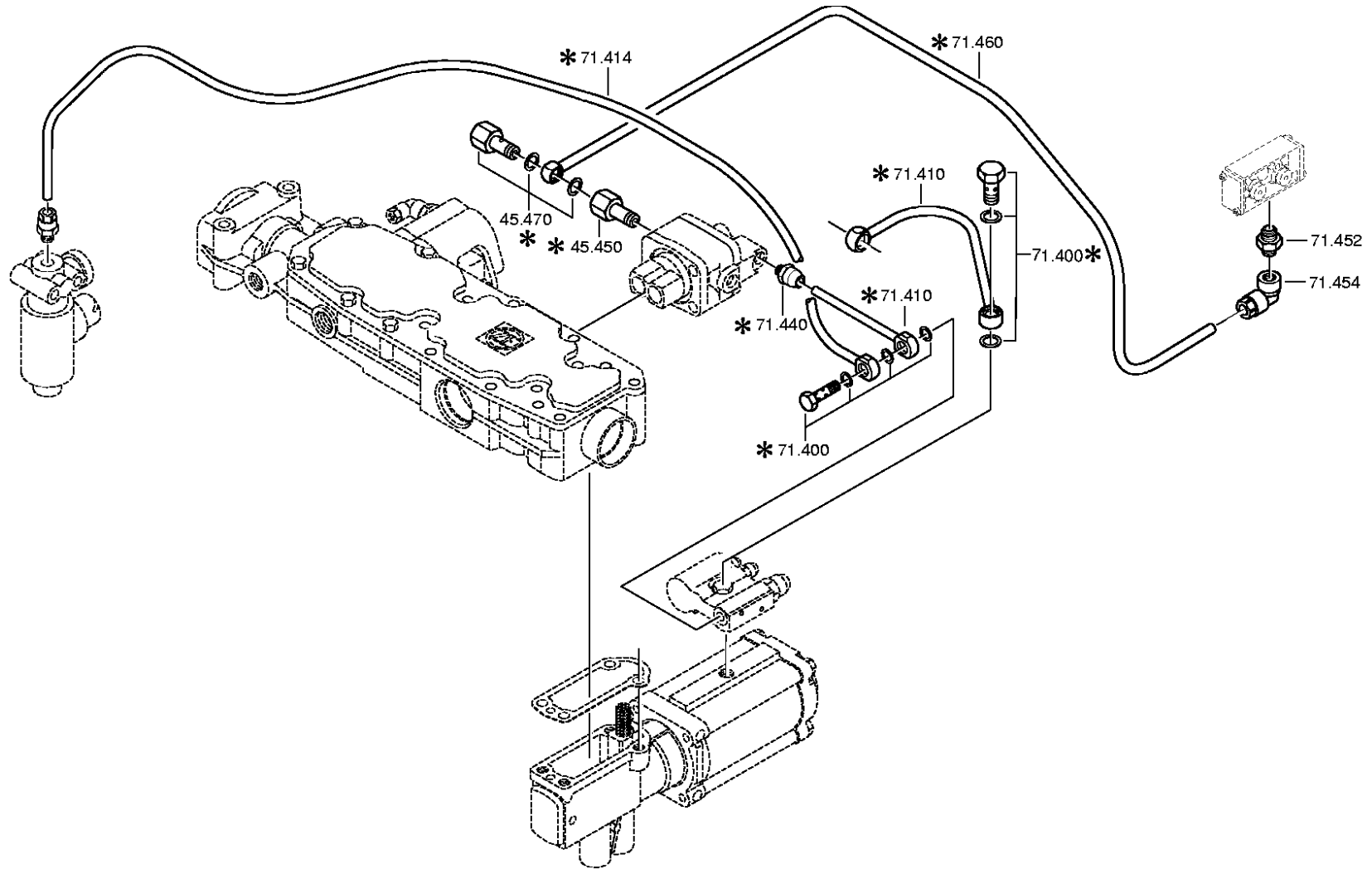
Plant Page 2 from 3

Material number: 1316.051.905
Plant: 068.08.43-1
END COVER

16 S 221 / IVECO
END COVER



There is presently no plate available for this parts list/ assembly.





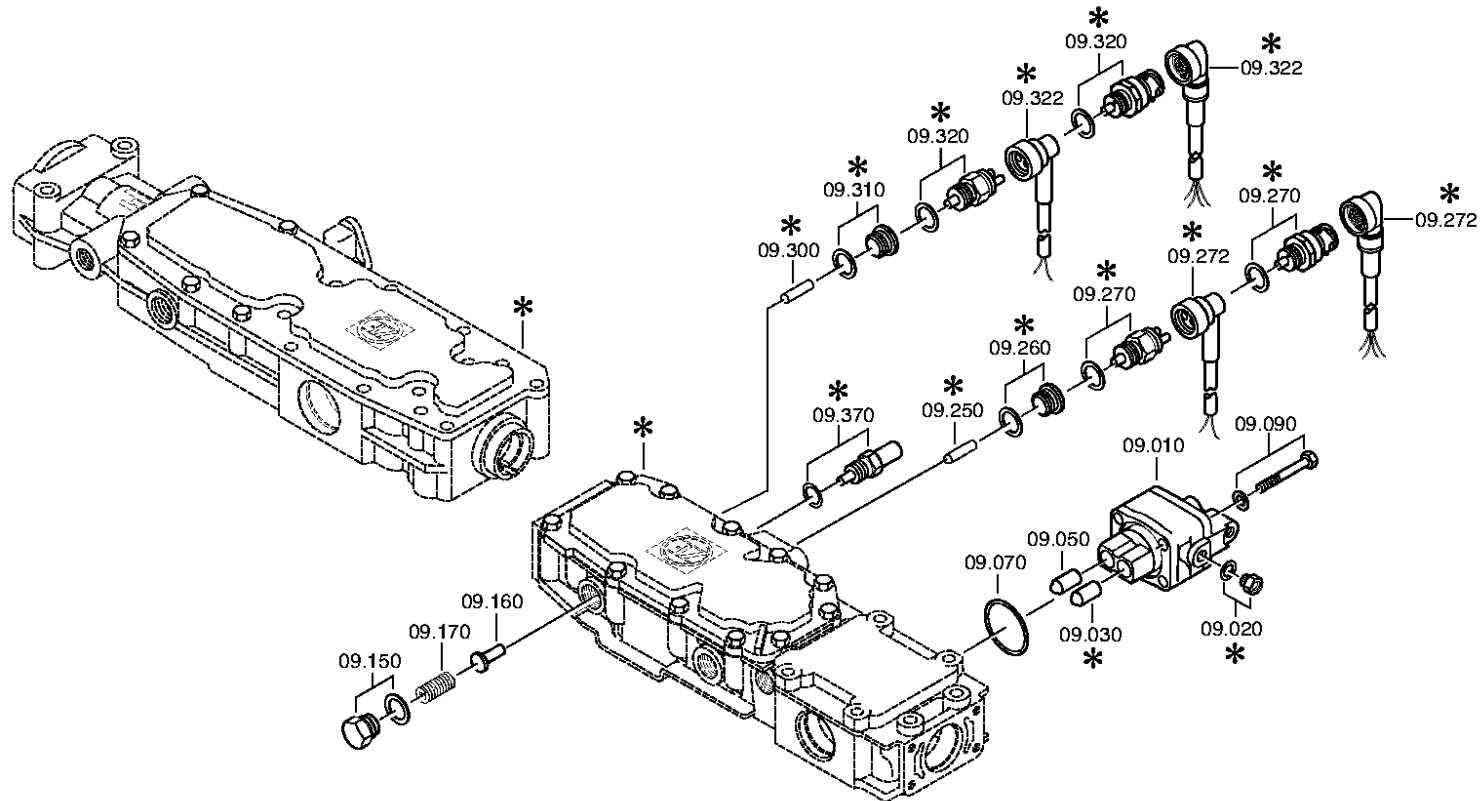
Pos.	Material number	Name	VKF	Amend. no.	Amend. start	Prod. no.	Material feature / tech. info.	OTK	External material no.	ID	Weight	SP
110	1341.307.093	COVER	1	C0100768 8E10	00.00.0000	00.00.0000				5	0,000	
130	---	HEXAGON BOLT	4	C0100443 5A10	00.00.0000	00.00.0000	M8X20 ISO4017/8.8 A3C			3	0,000	
---	0636.015.299	HEXAGON BOLT	4		00.00.0000		M8X20			5	0,010	
---	0630.001.075	WASHER	4		00.00.0000				16665511EY11-0413	5	0,002	
150	0501.215.980	PNEUMSERVUNIT	1	C0100326 7F10	00.00.0000	00.00.0000	KPL. PSE1 MIT EL.SAV			5	0,000	
160	1315.307.242	GASKET	1		00.00.0000				42534670	5	0,000	
170	---	HEXAGON BOLT	2		00.00.0000		M8X80			3	0,000	
---	0736.010.203	HEXAGON BOLT	2		00.00.0000				93193334	5	0,000	
180	---	HEXAGON BOLT	2		00.00.0000		M8X80*FLAECHENDICHTG			3	0,000	
---	0736.010.203	HEXAGON BOLT	2		00.00.0000				93193334	5	0,000	
---	0666.790.033	SEALCOMPOUND	2		00.00.0000					5	0,310	
400	---	UNION SCREW	1		00.00.0000		8 DIN7643			3	0,000	
---	0637.835.026	UNION SCREW	1		00.00.0000					5	22	
---	0634.801.331	SEALING RING	1		00.00.0000		12X18			5	0,000	
410	0501.215.949	PIPE	1	C0100345 1F10	00.00.0000	00.00.0000	KPL.			5	0,000	
452	---	CANNON SOCKET	1		00.00.0000		M12X1,5 VOSS			3	0,000	
---	0501.315.795	CANNON SOCKET	1		00.00.0000		VOSS M12X1,5		42533275	5	0,000	
454	0501.316.688	ANGLE PIECE	1		00.00.0000				42549978	5	0,000	

VKF Incidence factor

OTK Optional technical kit

ID Identification (output code)

SP Supplier plant





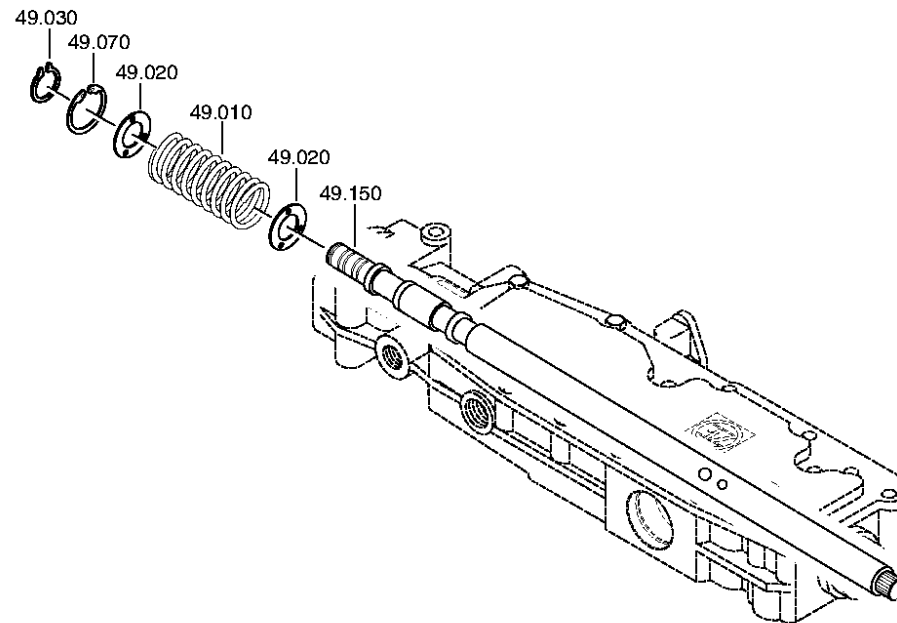
Pos.	Material number	Name	VKF	Amend. no.	Amend. start	Prod. no.	Material feature / tech. info.	OTK	External material no.	ID	Weight	SP
10	6038.202.043	CUT-OFF VALVE	1	C0100214 3C10	00.00.0000	00.00.0000	KPL.H-H*ZULUFTDROSSEL 1,55		42538044	3	0,000	
30	0501.209.188	BALL ROLLER	1		00.00.0000		KPL.		42531515	5	0,000	
50	0501.209.188	BALL ROLLER	1		00.00.0000		KPL.		42531515	5	0,000	
70	0634.313.505	O-RING	1		00.00.0000		42X3			5	0,000	
90	---	HEXAGON BOLT	4		00.00.0000		M8X65 ISO4014/8.8 A3C			3	0,000	
---	0636.010.575	HEXAGON BOLT	4		00.00.0000		M8X65			5	0,000	
---	0630.001.075	WASHER	4		00.00.0000				16665511EY11-0413	5	0,002	
150	---	SCREW	1	C0100132 2B10	00.00.0000	00.00.0000	M22X1,5			3	0,000	
---	1315.307.019	SCREW	1		00.00.0000		M22X1,5 IN 1315 307 363(2)		93190540	5	0,000	
---	0730.009.515	SEALING RING	1		00.00.0000		A22X27		42536385	5	0,000	
160	1315.307.384	BOLT	1	C0100395 8B10	00.00.0000	00.00.0000	ENTHALT.IN 1250 307 589(2)		42536663	5	0,000	
170	0732.041.612	COMPRSPRING	1		00.00.0000				93191471	5	0,000	
250	0731.201.446	PIN	1		00.00.0000		ENTHALT.IN 0731 201 445(2)		42534673	5	0,000	
270	---	SWITCH	1	C0100672 8E10	00.00.0000	00.00.0000	OEFF*45N.M*DICHTRING *BAJONETT			3	0,000	
---	0501.216.474	SWITCH	1		00.00.0000		KPL.			5	0,050	
---	0634.801.062	SEALING RING	1		00.00.0000		18X24			5	0,001	
300	0731.208.230	PIN	1		00.00.0000		A=30,0		93193601	5	0,000	
320	---	SWITCH	1		00.00.0000		SCHL *45N.M*DICHTRING *BAJONETT			3	0,000	
---	0501.210.058	SWITCH	1		00.00.0000		KPL.		42531807	5	0,000	
---	0634.801.062	SEALING RING	1		00.00.0000		18X24			5	0,001	

VKF Incidence factor

OTK Optional technical kit

ID Identification (output code)

SP Supplier plant



Parts list
Page 1 from 1

Material number: 1316.051.905 16 S 221 / IVECO
Plant: 068.12.08-1
Material-assembly-group-no: 1316.149.422



Pos.	Material number	Name	VKF	Amend. no.	Amend. start	Prod. no.	Material feature / tech. info.	OTK	External material no.	ID	Weight	SP
10	0732.040.237	COMPRSPRING	1		00.00.0000					5	30	
20	0730.104.083	WASHER	2		00.00.0000		A=2,00 IN 0730 104 527(2)		42485939	5	0,000	
30	0630.532.138	V-RING	1		00.00.0000				42481201	5	0,000	
70	0630.502.022	RETAINING RING	1		00.00.0000		40X1,75			5	4,800	
150	1315.307.327	GEAR SHIFT SHAFT	1		00.00.0000		ENTHALT.IN 1315 307 296(1)		42534651	5	0,000	

VKF Incidence factor

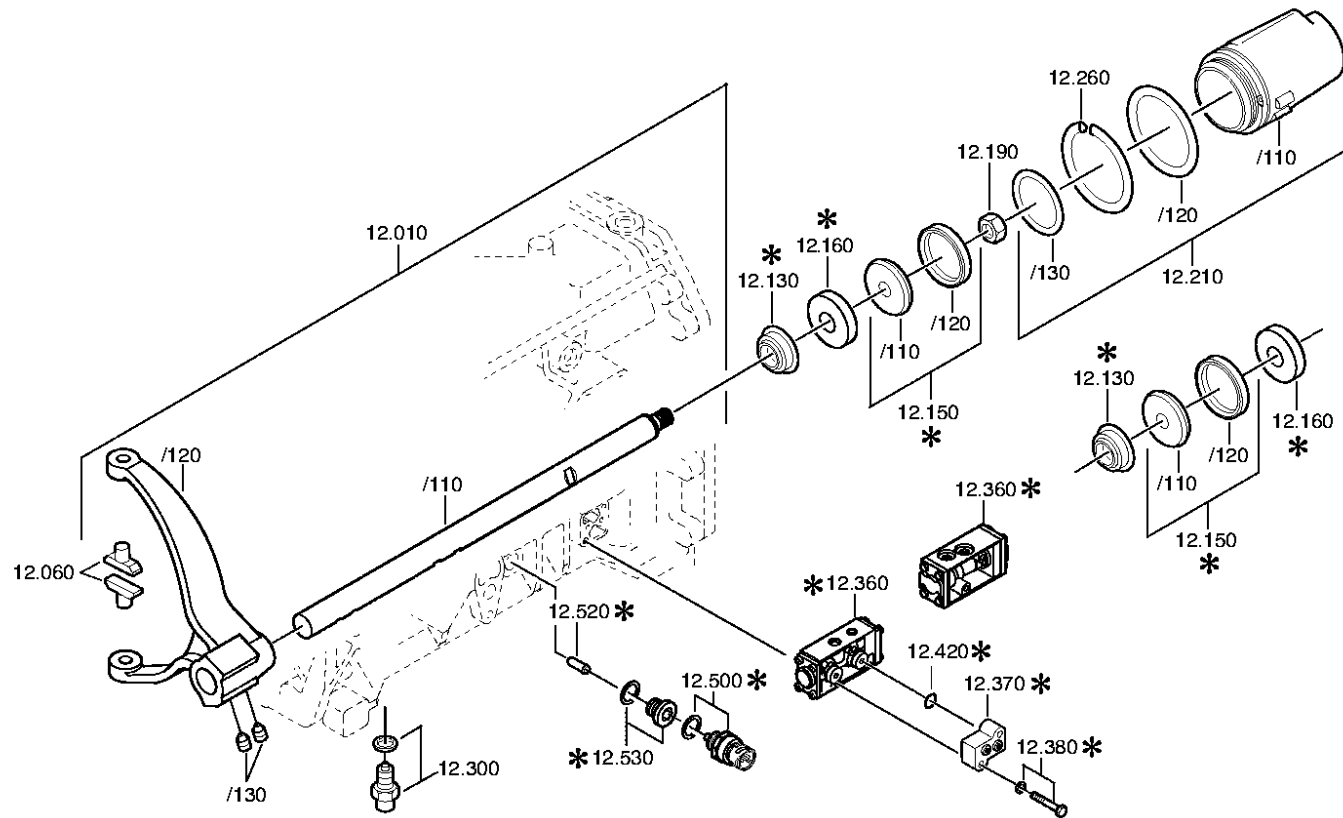
OTK Optional technical kit

ID Identification (output code)

SP Supplier plant

© All rights reserved by ZF Friedrichshafen AG, even in the event of applications for copyright. We hold all rights of disposal, such as the right to copy and disseminate. All rights reserved.
For information only, not subject to the amendment service.

19.08.2009





Pos.	Material number	Name	VKF	Amend. no.	Amend. start	Prod. no.	Material feature / tech. info.	OTK	External material no.	ID	Weight	SP
10	1316.212.010	GEAR SHIFT RAIL	1		00.00.0000		KPL.GV.LAG.GEH.1			3	0,000	
/110	1316.312.023	GEAR SHIFT RAIL	1		00.00.0000					5	0,000	
/120	1315.312.074	GEAR SHIFT FORK	1		00.00.0000		GV ECO 3			5	0,000	
/130	---	SET SCREW	2		00.00.0000		M12X1			3	0,000	
---	1315.312.047	SET SCREW	2		00.00.0000				93193272	5	0,000	
60	1316.306.015	SLIDING PAD	2		00.00.0000				42537353	5	0,000	
130	0750.112.131	FLANGE PACKING	1	Z0000358 8010	31.12.2010	31.12.2010	WTB 25X40X15		93191207	3	0,000	
150	1315.212.008	PISTON	1		00.00.0000		KPL.			3	0,000	
/110	---	PISTON	1		00.00.0000		GV SINTER/STAHL			3	0,000	
---	1315.312.020	PISTON	1		00.00.0000		GV		93193406	5	0,000	
---	1315.312.003	PISTON	1		00.00.0000		GV			5	0,000	
/120	0750.112.177	DOUBLE U-PACKING	1		00.00.0000		WTB 55X63X9,4		93193359	3	0,000	
190	---	LOCKING NUT	1		00.00.0000		M16X1,5 ZFN99			3	0,000	
---	0737.006.095	LOCKING NUT	1		00.00.0000		MS16X1,5 ZFN99		93190550	5	0,000	
210	1316.212.007	CYLINDER	1		00.00.0000		KPL.			3	0,000	
/110	1316.312.015	CYLINDER	1		00.00.0000		ENTHALT.IN 1315 312 033(1)		42531413	5	0,000	
/120	0634.313.018	O-RING	1		00.00.0000		82X3			5	0,000	
/130	0634.313.320	O-RING	1		00.00.0000		67X3		93190552	5	0,000	
260	1315.312.034	SPRING	1		00.00.0000				93190553	5	0,000	
300	---	DETENT PLUNGER	1		00.00.0000		235N*50N.M			3	0,000	
---	1313.207.003	DETENT PLUNGER	1	C0100986 0C10	00.00.0000	00.00.0000	KPL. IN 1313 207 001(2)		93190377	3	0,000	
---	0730.008.604	SEALING RING	1	C0100986 0C10	00.00.0000	00.00.0000	A16X22		42536433	5	0,000	
360	0501.215.359	5/2 WAY VALVE	1	C0100400 3F10	00.00.0000	00.00.0000	KPL.SG			5	0,000	
/20	0634.314.020	O-RING	1		00.00.0000		8X2			5	0,000	
/22	0634.314.020	O-RING	1		00.00.0000		8X2			5	0,000	
380	---	HEXAGON BOLT	2		00.00.0000		M6X40 ISO4014/8.8			3	0,000	
---	0636.010.740	HEXAGON BOLT	2		00.00.0000		M6X40		42536401	5	0,000	
---	0630.001.076	WASHER	2		00.00.0000					5	0,001	
520	1295.212.006	PIN	1		00.00.0000		KPL.		7982152	3	0,000	

VKF Incidence factor

OTK Optional technical kit

ID Identification (output code)

SP Supplier plant



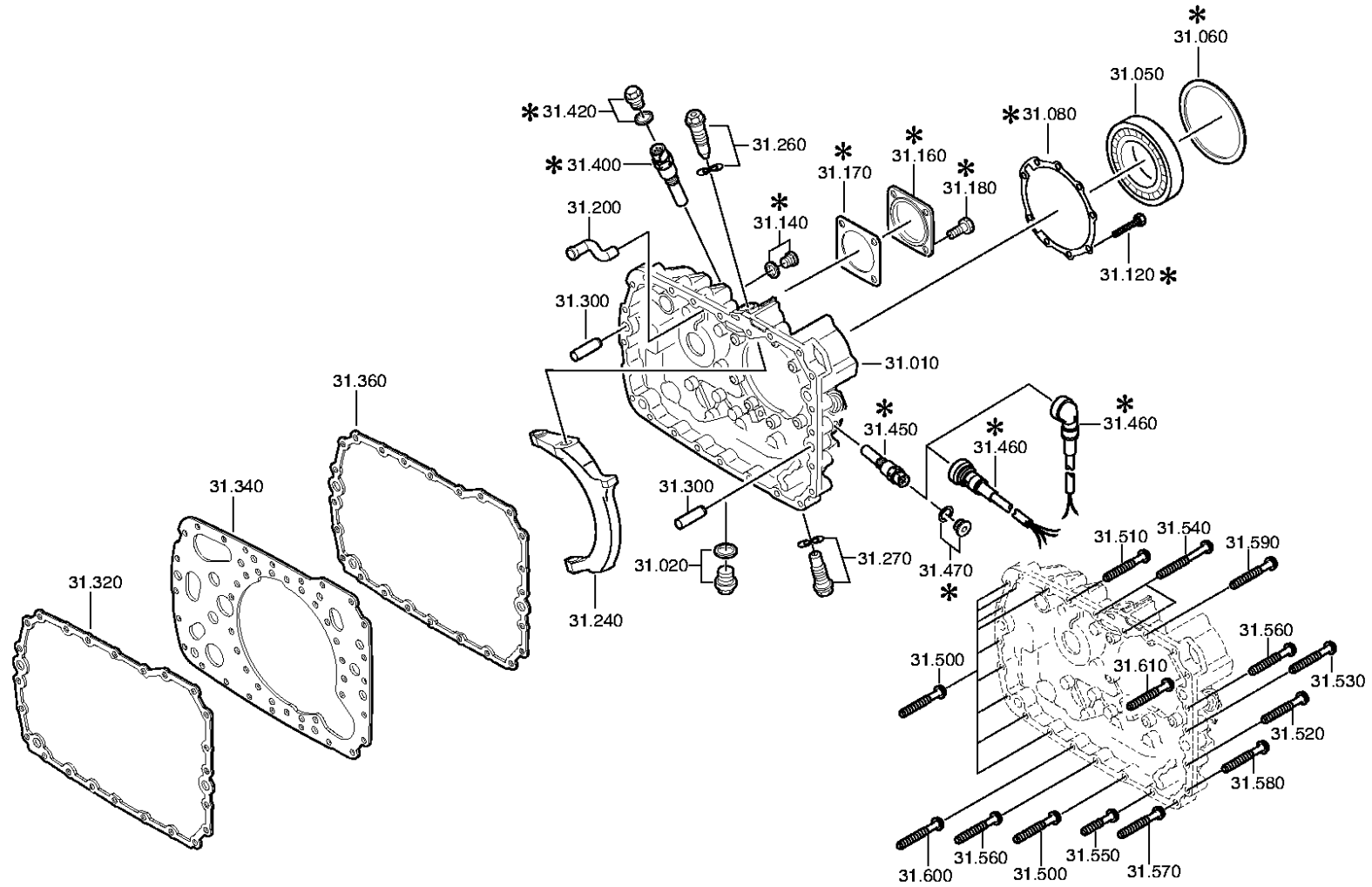
Pos.	Material number	Name	VKF	Amend. no.	Amend. start	Prod. no.	Material feature / tech. info.	OTK	External material no.	ID	Weight	SP
530	---	SCREW PLUG	1		00.00.0000		M18X1,5 * 35N.M* DICHRING			3	0,000	
---	0636.302.021	SCREW PLUG	1		00.00.0000		M18X1,5			5	0,090	
---	0634.801.062	SEALING RING	1		00.00.0000		18X24			5	0,001	

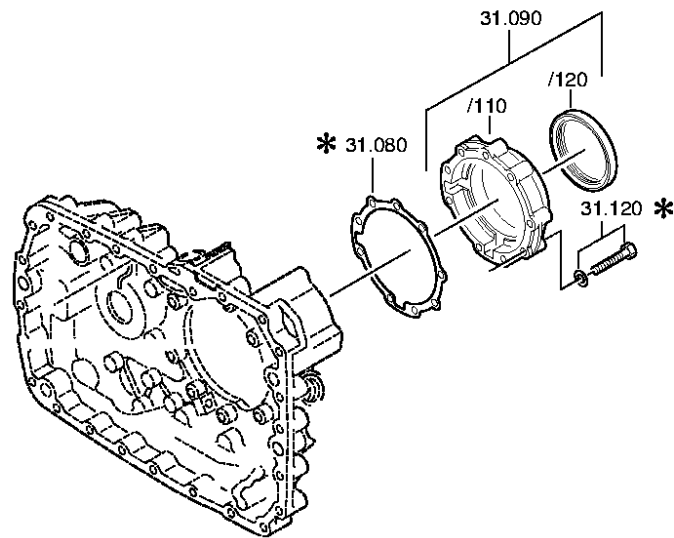
VKF Incidence factor

OTK Optional technical kit

ID Identification (output code)

SP Supplier plant







Pos.	Material number	Name	VKF	Amend. no.	Amend. start	Prod. no.	Material feature / tech. info.	OTK	External material no.	ID	Weight	SP
10	1315.301.224	HOUSING	1		00.00.0000		ENTHALT.IN 1315 301 222(0)			5	0,000	
20	---	SCREW PLUG	1		00.00.0000		M24X1,5 * 60N.M* DICHTRING			3	0,000	
---	0636.304.049	SCREW PLUG	1		00.00.0000		M24X1,5			5	0,094	
---	0730.008.637	SEALING RING	1		00.00.0000		A24X29			5	0,000	
50	0750.116.394	BALL BEARING	1	C0100721 4E10	00.00.0000	00.00.0000				3	0,000	
80	1315.331.001	GASKET	1	C0100535 0C10	00.00.0000	00.00.0000				5	0,000	
90	1315.231.004	COVER	1		00.00.0000		KPL.			3	0,000	
/120	0750.111.341	SHAFT SEAL	1		00.00.0000		WTB 105X130X12		93194330	3	0,000	
120	0636.015.601	HEXAGON BOLT	9	Z0000227 8710	01.03.2010	01.03.2010	M10X60		42536933	5	0,000	
140	---	SCREW PLUG	1	C0100435 9F10	00.00.0000	00.00.0000	M10X1 * 15N.M* DICHTRING			3	0,000	
---	0636.302.053	SCREW PLUG	1		00.00.0000		M10X1			5	0,100	
---	0730.008.055	SEALING RING	1		00.00.0000		A10X14			5	0,000	
160	1304.301.034	COVER	1		00.00.0000				8193191	5	0,000	
170	1238.308.201	GASKET	1		00.00.0000		ENTHALT.IN 1238 308 202(2)		8866426	5	0,000	
180	---	HEXAGON BOLT	4		00.00.0000		M12X25 DIN933ALT/8.8 A3C			3	0,000	
---	0636.016.178	HEXAGON BOLT	4		00.00.0000		M12X25			5	0,035	
200	1296.301.008	SPRAY TUBE	1		00.00.0000				7982218	5	0,000	
240	1315.334.039	GEAR SHIFT FORK	1		00.00.0000				42531416	5	0,000	
260	---	ARTICULATION BOLT	1	Z0000407 5611	31.12.2010	31.12.2010	M24X1,5 SK6 O.SCHEIBE			3	0,000	
---	1315.334.074	ARTICULATION BOLT	1	Z0000407 5610	31.12.2010	31.12.2010				5	0,000	
270	---	ARTICULATION BOLT	1	Z0000407 5611	31.12.2010	31.12.2010	M24X1,5 SK6 O.SCHEIBE			3	0,000	
---	1315.334.074	ARTICULATION BOLT	1	Z0000407 5610	31.12.2010	31.12.2010				5	0,000	
300	0731.201.563	CYLINDRICAL PIN	3		00.00.0000				93190480	5	0,000	
320	1316.301.042	GASKET	1		00.00.0000				42534473	5	0,000	
340	1315.301.118	INTERMPLATE	1		00.00.0000		ENTHALT.IN 1315 301 144(0)		93193230	5	0,000	

VKF Incidence factor

OTK Optional technical kit

ID Identification (output code)

SP Supplier plant



Pos.	Material number	Name	VKF	Amend. no.	Amend. start	Prod. no.	Material feature / tech. info.	OTK	External material no.	ID	Weight	SP
360	1316.301.042	GASKET	1		00.00.0000				42534473	5	0,000	
420	---	SCREW PLUG	1		00.00.0000		M18X1,5 * 35N.M* DICHTRING			3	0,000	
---	0636.302.021	SCREW PLUG	1		00.00.0000		M18X1,5			5	0,090	
---	0634.801.062	SEALING RING	1		00.00.0000		18X24			5	0,001	
470	---	SCREW PLUG	1		00.00.0000		M18X1,5 * 35N.M* DICHTRING			3	0,000	
---	0636.302.021	SCREW PLUG	1		00.00.0000		M18X1,5			5	0,090	
---	0634.801.062	SEALING RING	1		00.00.0000		18X24			5	0,001	
500	---	HEXAGON BOLT	11		00.00.0000		M10X70			3	0,000	
---	0736.010.180	HEXAGON BOLT	11		00.00.0000		M10X70 IN 0736 010 183(2)		93190481	5	0,000	
510	---	HEXAGON BOLT	1		00.00.0000		M10X70			3	0,000	
---	0736.010.180	HEXAGON BOLT	1		00.00.0000		M10X70 IN 0736 010 183(2)		93190481	5	0,000	
520	---	HEXAGON BOLT	1		00.00.0000		M10X70			3	0,000	
---	0736.010.180	HEXAGON BOLT	1		00.00.0000		M10X70 IN 0736 010 183(2)		93190481	5	0,000	
530	---	HEXAGON BOLT	1		00.00.0000		M10X70			3	0,000	
---	0736.010.180	HEXAGON BOLT	1		00.00.0000		M10X70 IN 0736 010 183(2)		93190481	5	0,000	
540	---	HEXAGON BOLT	2		00.00.0000		M10X110			3	0,000	
---	0736.010.181	HEXAGON BOLT	2		00.00.0000		M10X110 IN 0736 010 183(2)		93190564	5	0,000	
550	---	HEXAGON BOLT	1	Z0000420 0110	01.03.2010	01.03.2010	M10X45			3	0,000	
---	0736.010.228	HEXAGON BOLT	1		00.00.0000		M10X45 IN 0736 010 183(2)			5	0,000	
560	---	HEXAGON BOLT	2		00.00.0000		M10X70			3	0,000	
---	0736.010.180	HEXAGON BOLT	2		00.00.0000		M10X70 IN 0736 010 183(2)		93190481	5	0,000	
570	---	HEXAGON BOLT	1		00.00.0000		M10X70			3	0,000	
---	0736.010.180	HEXAGON BOLT	1		00.00.0000		M10X70 IN 0736 010 183(2)		93190481	5	0,000	
580	---	HEXAGON BOLT	1		00.00.0000		M10X70			3	0,000	
---	0736.010.180	HEXAGON BOLT	1		00.00.0000		M10X70 IN 0736 010 183(2)		93190481	5	0,000	
590	---	HEXAGON BOLT	1	Z0000420 0110	01.03.2010	01.03.2010	M10X45			3	0,000	
---	0736.010.228	HEXAGON BOLT	1		00.00.0000		M10X45 IN 0736 010 183(2)			5	0,000	
600	---	HEXAGON BOLT	1		00.00.0000		M10X70			3	0,000	
---	0736.010.180	HEXAGON BOLT	1		00.00.0000		M10X70 IN 0736 010 183(2)		93190481	5	0,000	
610	---	HEXAGON BOLT	1		00.00.0000		M10X70			3	0,000	

VKF Incidence factor

OTK Optional technical kit

ID Identification (output code)

SP Supplier plant



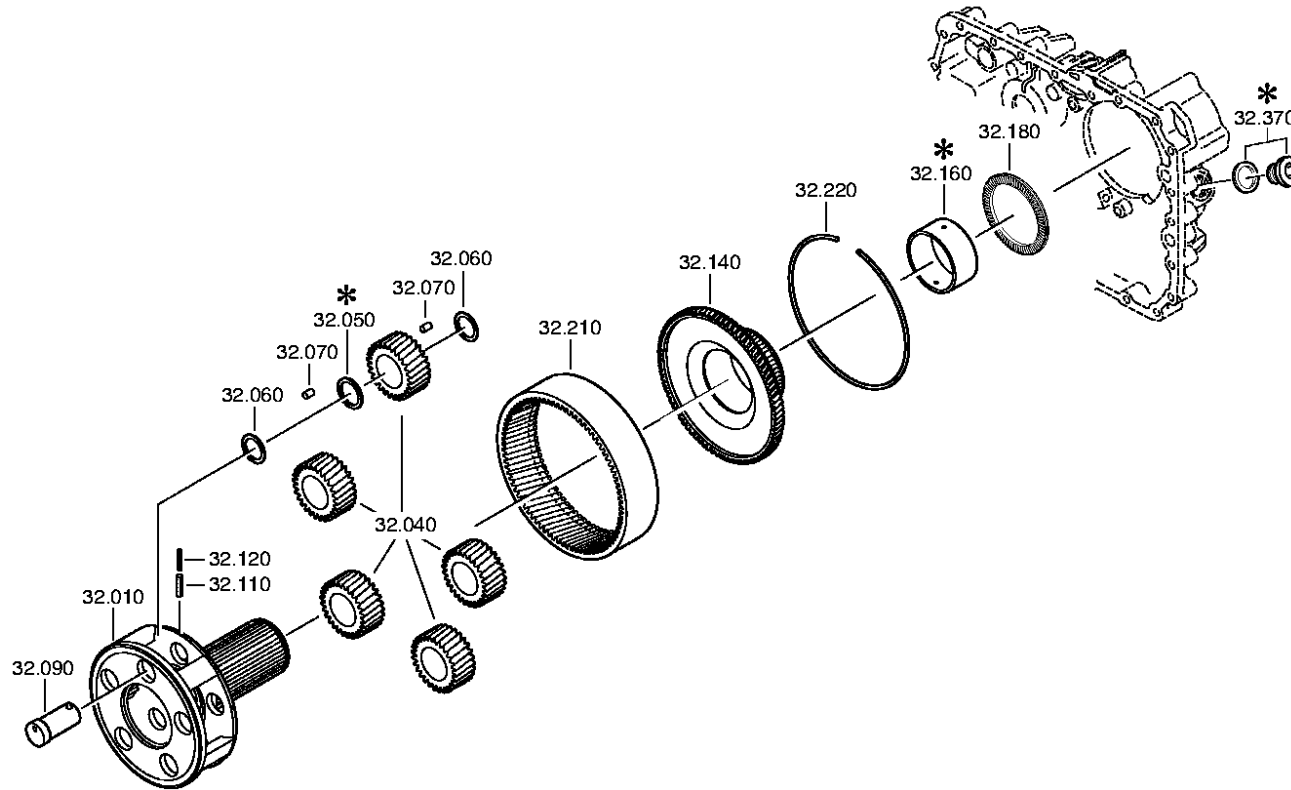
Pos.	Material number	Name	VKF	Amend. no.	Amend. start	Prod. no.	Material feature / tech. info.	OTK	External material no.	ID	Weight	SP
---	0736.010.180	HEXAGON BOLT	1		00.00.0000		M10X70 IN 0736 010 183(2)		93190481	5	0,000	

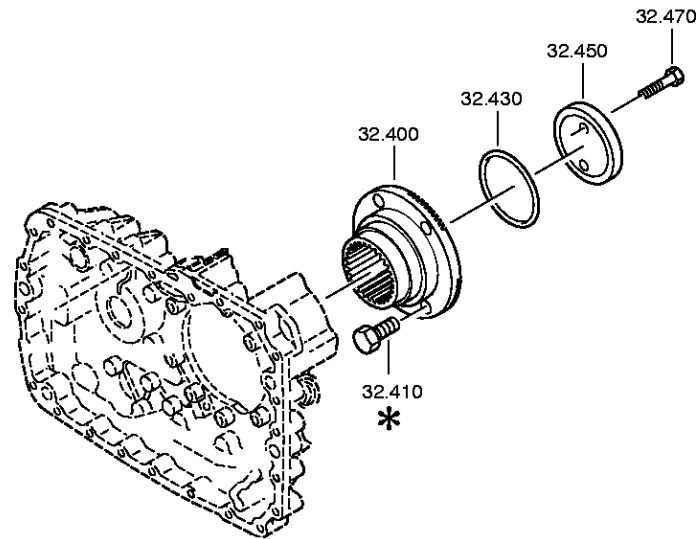
VKF Incidence factor

OTK Optional technical kit

ID Identification (output code)

SP Supplier plant





Parts list
Page 1 from 1

Material number: 1316.051.905 16 S 221 / IVECO
Plant: 068.44.07-1
Material-assembly-group-no: 1316.132.015



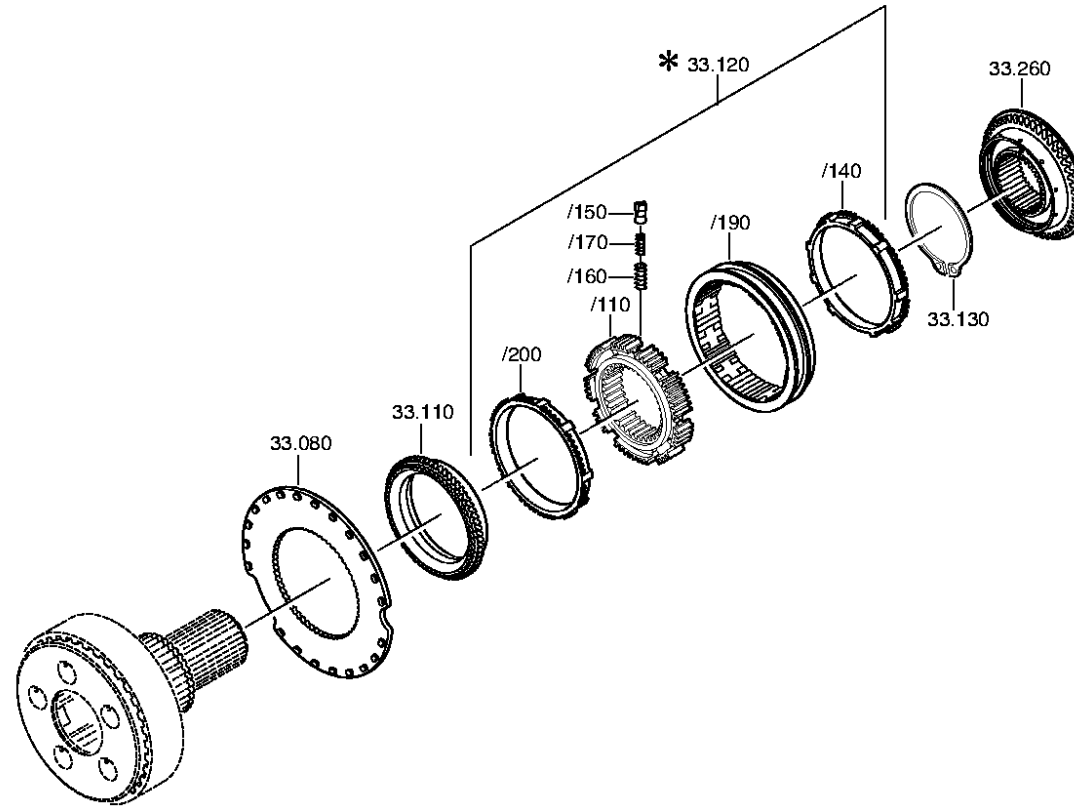
Pos.	Material number	Name	VKF	Amend. no.	Amend. start	Prod. no.	Material feature / tech. info.	OTK	External material no.	ID	Weight	SP
10	1316.232.019	PLANET CARRIER	1		00.00.0000		KPL.GP-SV*16S221			3	0,000	
40	1316.232.011	PLANET GEAR SET	1		00.00.0000		KPL.			3	0,000	
50	0730.109.309	INTERMWASHER	5		00.00.0000		A=7,90 IN 0730 105 951(2)			5	0,000	
60	0730.109.323	INTERMWASHER	10		00.00.0000		A=2,30 IN 0730 105 951(2)		42471323	5	0,000	
70	0750.119.116	ROLLER	140		00.00.0000		WTB 10,0X16,8		93191132	3	0,000	
90	1316.332.096	PLANET SHAFT	5	C0100722 6B10	00.00.0000	00.00.0000	ENTHALT.IN 1316 332 037(2)			5	0,000	
110	0631.329.051	SLOTPIN	5		00.00.0000		5X26			5	0,002	
120	0631.329.167	SLOTPIN	5		00.00.0000		3X26			5	1	
140	1316.332.130	RING GEAR CARRIER	1	C0100730 5F10	00.00.0000	00.00.0000				5	0,000	
160	1316.333.014	INTERMRING	1		00.00.0000				42535036	5	0,000	
180	0735.298.169	AXIAL NEEDLE BEARING	1		00.00.0000		104,5X128,4X10,0 FA.INA			5	0,000	
210	1315.332.041	RING GEAR	1	C0100722 0A10	00.00.0000	00.00.0000	IN 1316 332 055(1)		42535034	5	0,000	
220	0730.513.583	LOCKING WIRE	1		00.00.0000		A=3,20 IN 0730 505 052(2)		42535035	5	0,000	
400	1297.333.110	OUTPUT FLANGE	1		00.00.0000		ENTHALT.IN 1314 332 007(0)		93156114	5	0,000	
430	0634.313.805	O-RING	1	C0100795 9910	00.00.0000	00.00.0000	82X4			5	0,000	
450	1312.332.028	WASHER	1		00.00.0000		ENTHALT.IN 1295 332 063(2)		8866104	5	0,000	
470	0636.011.540	HEXAGON BOLT	2		00.00.0000		M12X60		93191214	5	0,000	

VKF Incidence factor

OTK Optional technical kit

ID Identification (output code)

SP Supplier plant





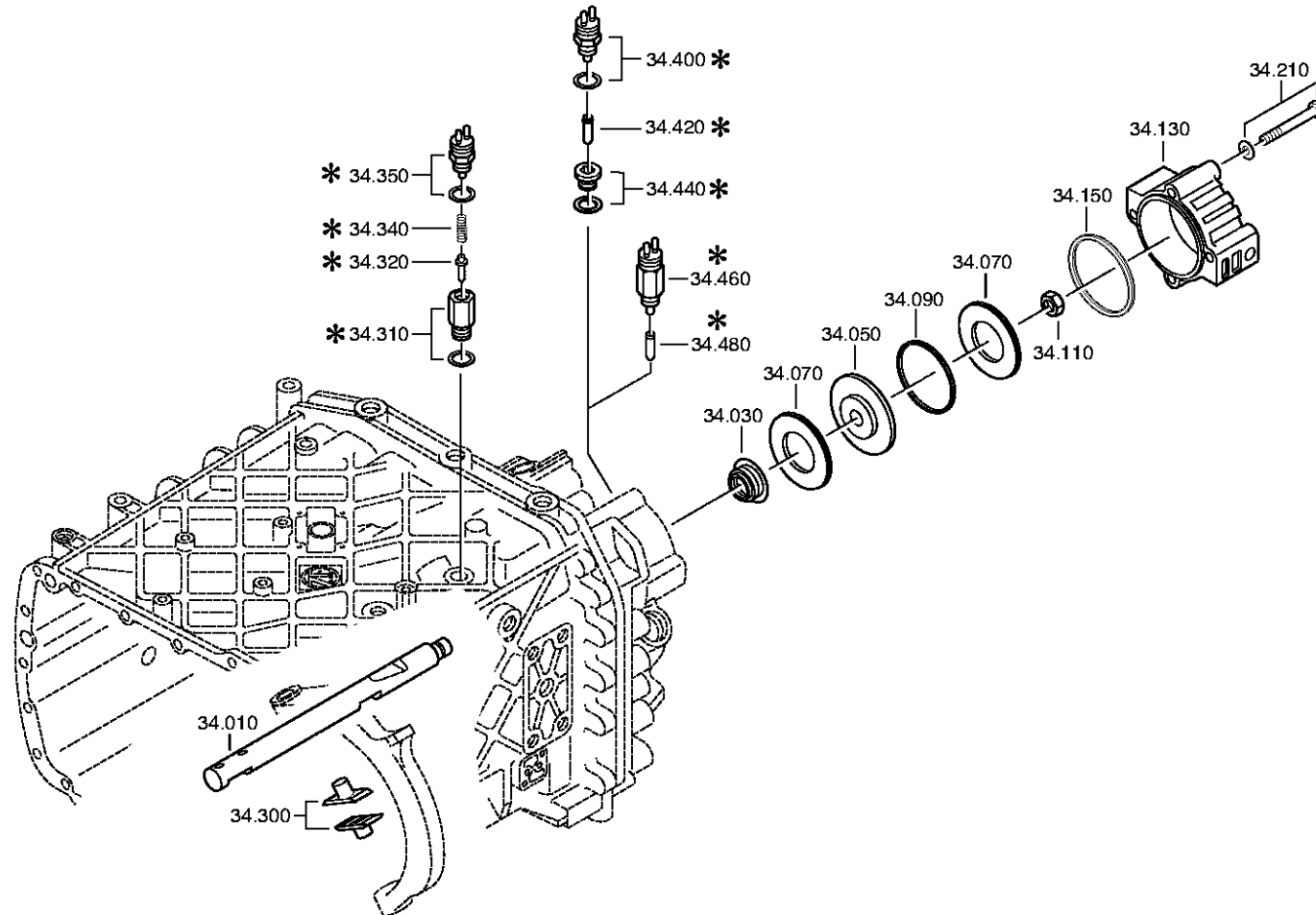
Pos.	Material number	Name	VKF	Amend. no.	Amend. start	Prod. no.	Material feature / tech. info.	OTK	External material no.	ID	Weight	SP
80	1296.333.046	CLUTCH DISC	1		00.00.0000		ENTHALT.IN 1296 333 051(1)			5	0,000	
110	1296.333.050	CLUTCH BODY	1	C0100262 7A10	00.00.0000	00.00.0000	ENTHALT.IN 1296.333. 053(1)		42535041	5	0,000	
120	1316.233.022	SYNCHRONIZER	1		00.00.0000		KPL.PROFIL 80GV-GP 90SV-GP			3	0,000	
/110	1313.333.001	SYNCHROBODY	1		00.00.0000		ENTHALT.IN 1296 333 014(1)		93163920	5	0,000	
/140	1296.333.045	SYNCHRORING	1		00.00.0000				42532826	5	0,000	
/150	1240.304.278	PRESSURE PIECE	9		00.00.0000				8866440	5	0,000	
/160	0732.040.385	COMPRSPRING	9		00.00.0000				8866221	5	0,000	
/170	0732.040.386	COMPRSPRING	9		00.00.0000				8866148	5	0,000	
/190	1316.333.034	SLIDING SLEEVE	1	C0100731 7F10	00.00.0000	00.00.0000	ZF-B 165/74 GP			5	0,000	
/200	1296.333.045	SYNCHRORING	1		00.00.0000				42532826	5	0,000	
130	---	RETAINING RING	1		00.00.0000		WTB -A= 3,70- 4,00(ABSTUFUNG:0,10MM)			3	0,000	
---	0630.501.061	RETAINING RING	1		00.00.0000		125X4			5	0,100	
---	0630.501.173	RETAINING RING	1		00.00.0000		125X3,9		42492544	5	0,000	
---	0630.501.174	RETAINING RING	1		00.00.0000		125X3,8		42492545	5	0,000	
---	0630.501.175	RETAINING RING	1		00.00.0000		125X3,7		42492546	5	0,000	
260	1316.233.029	CLUTCH BODY	1	C0100730 5F10	00.00.0000	00.00.0000	KPL. ZF-B 165/74			3	0,000	

VKF Incidence factor

OTK Optional technical kit

ID Identification (output code)

SP Supplier plant





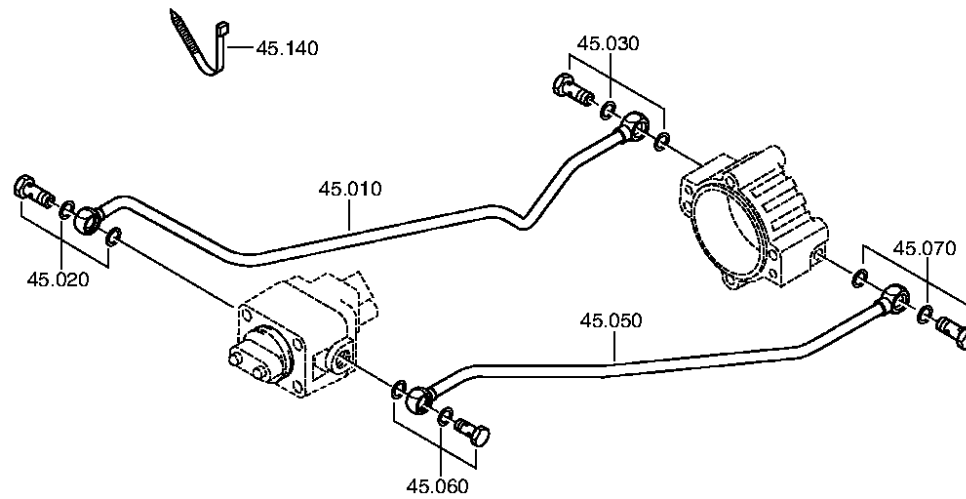
Pos.	Material number	Name	VKF	Amend. no.	Amend. start	Prod. no.	Material feature / tech. info.	OTK	External material no.	ID	Weight	SP
10	1316.334.016	GEAR SHIFT RAIL	1		00.00.0000					5	0,000	
30	0750.112.253	FLANGE PACKING	1		00.00.0000		WTB 25X40X15			3	0,000	
50	---	PISTON	1		00.00.0000		WTB*GP			3	0,000	
---	1315.334.034	PISTON	1		00.00.0000		ENTHALT.IN 1315 334 040(2)		93193604	5	0,000	
---	1315.334.063	PISTON	1		00.00.0000					5	0,000	
70	0734.307.294	SEALING RING	2		00.00.0000		49X91X7,4 FA.KACO		42530451	5	0,000	
90	0750.112.066	GUIDE RING	1		00.00.0000				8190758	3	0,000	
110	---	LOCKING NUT	1		00.00.0000		M16X1,5 ZFN99			3	0,000	
---	0737.006.095	LOCKING NUT	1		00.00.0000		MS16X1,5 ZFN99		93190550	5	0,000	
130	1315.334.069	CYLINDER	1		00.00.0000					5	0,000	
150	0501.317.536	PROFILE SEALING RING	1		00.00.0000				42535321	5	0,000	
210	---	HEXAGON BOLT	4		00.00.0000		M10X90 DIN933ALT/8.8 A3C			3	0,000	
---	0636.015.459	HEXAGON BOLT	4		00.00.0000		M10X90			5	55	
---	0630.001.048	WASHER	4		00.00.0000					5	3,400	
300	1296.334.004	SLIDING PAD	2		00.00.0000				7982228	5	0,000	
320	---	DETENT PLUNGER	1		00.00.0000		145N*50N.M			3	0,000	
---	1313.207.005	DETENT PLUNGER	1	C0100986 0C10	00.00.0000	00.00.0000	KPL. IN 1313 207 001(2)		93190554	3	0,000	
---	0730.008.604	SEALING RING	1	C0100986 0C10	00.00.0000	00.00.0000	A16X22		42536433	5	0,000	
400	---	SWITCH	1		00.00.0000		SCHL *45N.M*DICHTRING *BAJONETT			3	0,000	
---	0501.210.058	SWITCH	1		00.00.0000		KPL.		42531807	5	0,000	
---	0634.801.062	SEALING RING	1		00.00.0000		18X24			5	0,001	
420	1295.212.006	PIN	1		00.00.0000		KPL.		7982152	3	0,000	

VKF Incidence factor

OTK Optional technical kit

ID Identification (output code)

SP Supplier plant





Pos.	Material number	Name	VKF	Amend. no.	Amend. start	Prod. no.	Material feature / tech. info.	OTK	External material no.	ID	Weight	SP
10	1316.245.012	PIPE	1	C0100383 1B10	00.00.0000	00.00.0000	KPL.GP RE*L=589MM*12X1,5		42536397	3	0,000	
20	---	UNION SCREW	1	C0100115 4C10	00.00.0000	00.00.0000	10 DIN7643*4 LOCH			3	0,000	
---	0737.835.238	UNION SCREW	1		00.00.0000					5	0,000	
---	0634.801.217	SEALING RING	1	C0100516 3C10	00.00.0000	00.00.0000	14X20			5	0,000	
30	---	UNION SCREW	1	C0100115 4C10	00.00.0000	00.00.0000	10 DIN7643*4 LOCH			3	0,000	
---	0737.835.238	UNION SCREW	1		00.00.0000					5	0,000	
---	0634.801.217	SEALING RING	1	C0100516 3C10	00.00.0000	00.00.0000	14X20			5	0,000	
50	1316.245.013	PIPE	1	C0100383 1B10	00.00.0000	00.00.0000	KPL.GP LI*L=605MM*12X1,5		42536408	3	0,000	
60	---	UNION SCREW	1	C0100115 4C10	00.00.0000	00.00.0000	10 DIN7643*4 LOCH			3	0,000	
---	0737.835.238	UNION SCREW	1		00.00.0000					5	0,000	
---	0634.801.217	SEALING RING	1	C0100516 3C10	00.00.0000	00.00.0000	14X20			5	0,000	
70	---	UNION SCREW	1	C0100115 4C10	00.00.0000	00.00.0000	10 DIN7643*4 LOCH			3	0,000	
---	0737.835.238	UNION SCREW	1		00.00.0000					5	0,000	
---	0634.801.217	SEALING RING	1	C0100516 3C10	00.00.0000	00.00.0000	14X20			5	0,000	
140	0659.160.081	CABLE CLIP	1	C0100665 4E10	00.00.0000	00.00.0000	4,7X210			5	0,000	

VKF Incidence factor

OTK Optional technical kit

ID Identification (output code)

SP Supplier plant